

HIGH-VISUAL DISPLAY DIPPING CABINETS



SPECS AND FEATURES FOR HIGH-VISUAL DISPLAY DIPPING CABINETS

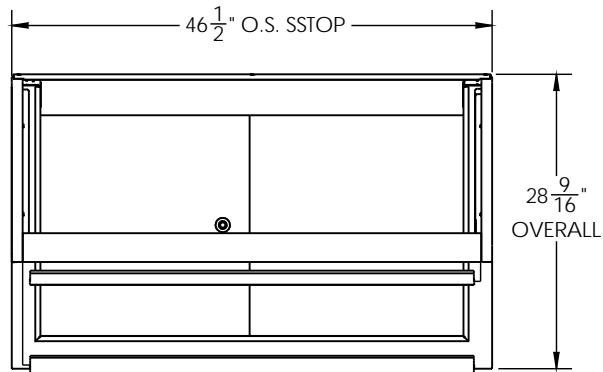


- SQUARED VIEWING WINDOW
- INTERIOR STAINLESS STEEL
- GLASS CANOPY CONSTRUCTION
- PTEG LIFT LIDS
- LED LIGHTS
- COLD WALL EVAPORATORS
- MANUAL DEFROST

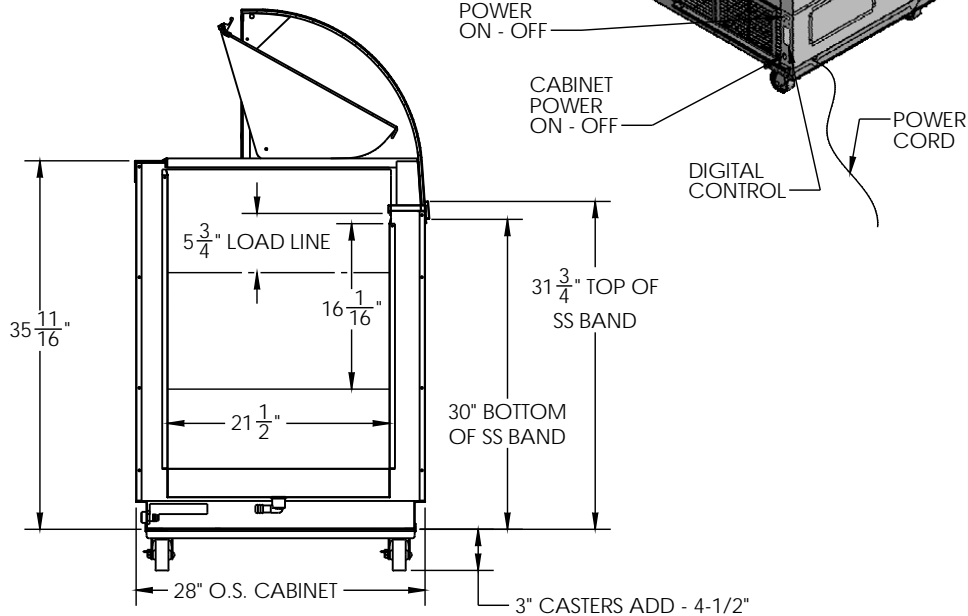
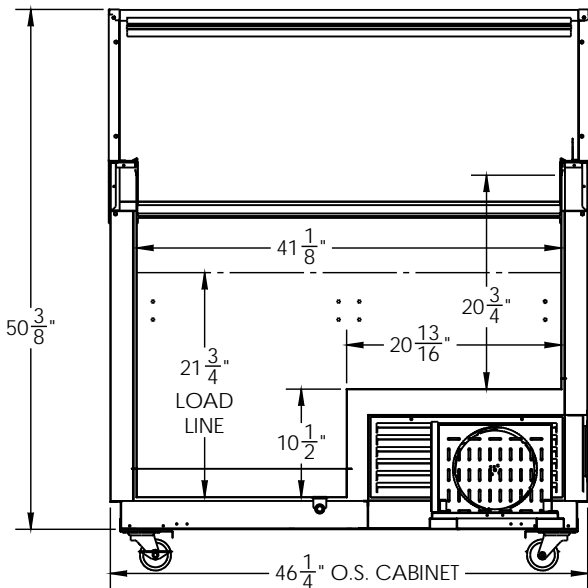
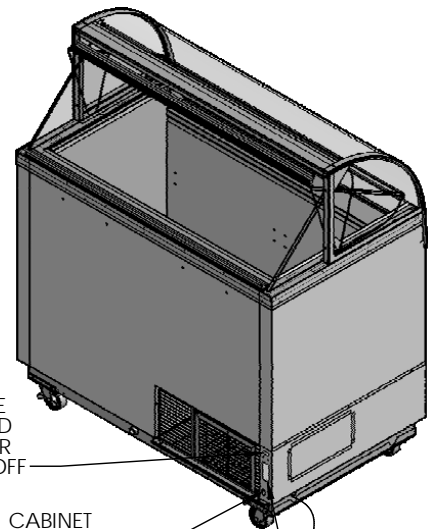


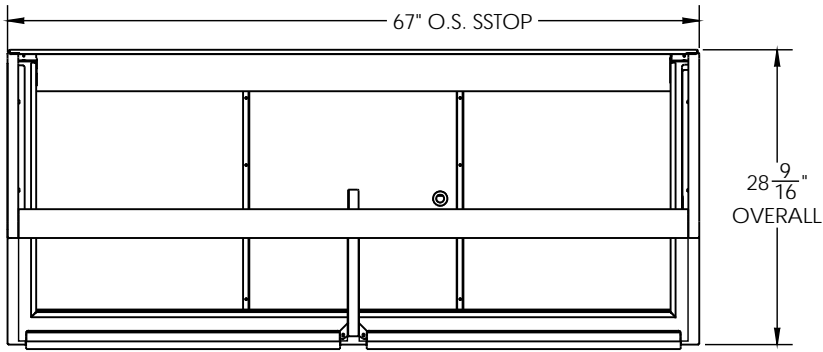
- FORCED-AIR TUBULAR CLOG FREE CONDENSOR
- ELECTRONIC PROGRAMMABLE TEMPERATURE CONTROL

MODEL	8DIP-HV, 47"	12DIP-HV, 67"	16DIP-HV, 87"
CAPACITY	(12) 3-GAL CANS	(20) 3-GAL CANS	(28) 3-GAL CANS
FACINGS	8 FACINGS	12 FACINGS	16 FACINGS
TEMP RANGE	-10 DEG F. TO +30 DEG F.	-10 DEG F. TO +30 DEG F.	-10 DEG F. TO +30 DEG F.
COMPRESSOR H.P.	1/3 H.P. NLE8.8CN	5/8 H.P. SC16CLX.2	3/4 H.P. SC18CLX.2
ELECTRICAL - STD	115 V., 8 AMPS	115 V., 10 AMPS	115V., 10 AMPS
OPTIONAL	220/60/1, 4 AMPS	220/60/1, 5 AMPS	220V., 6 AMPS
REFRIGERANT	R290	R452	R452

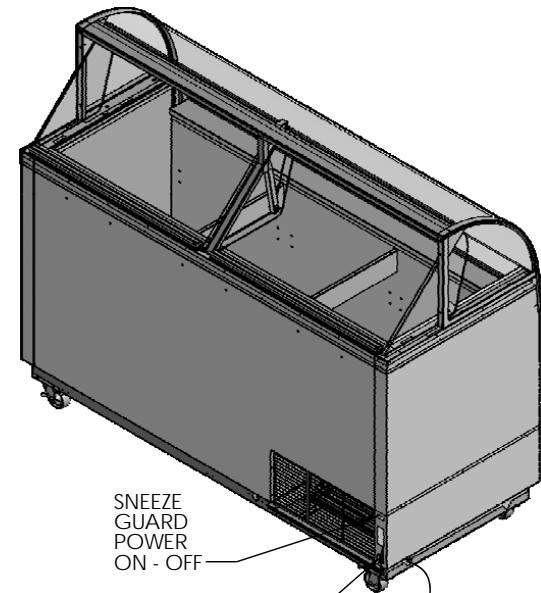


8DIP-HV





12DIP-HV

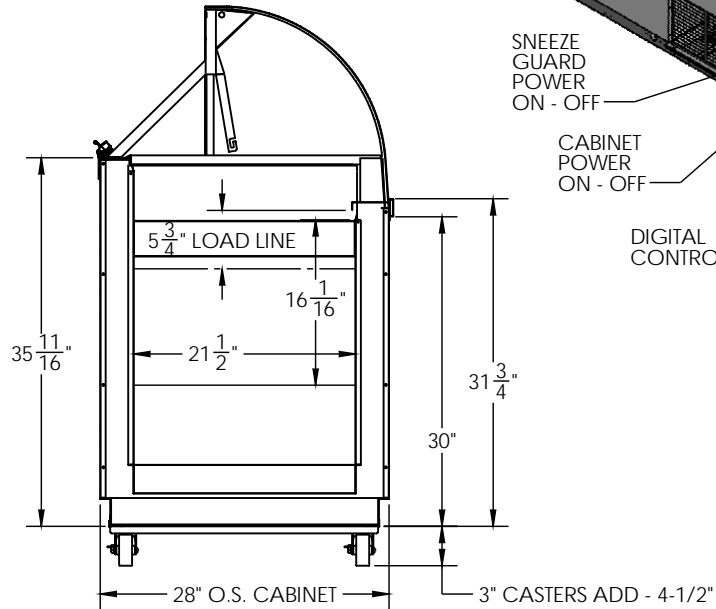
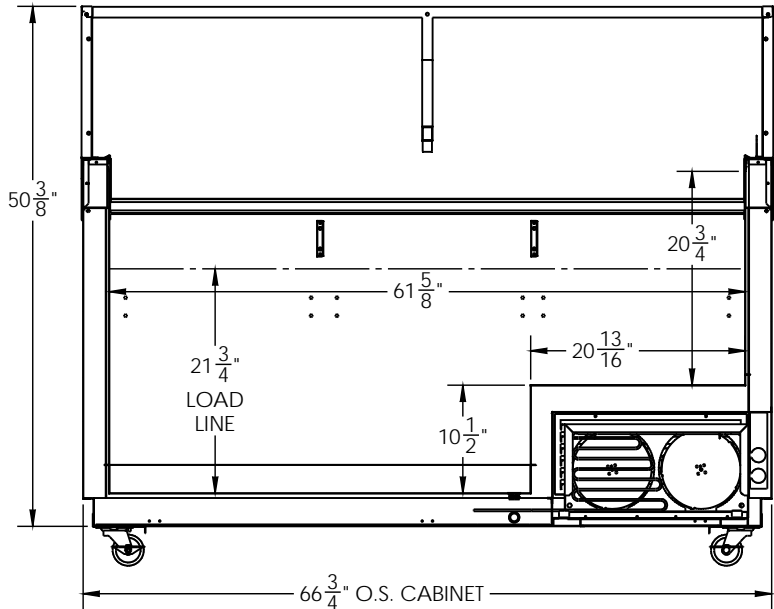


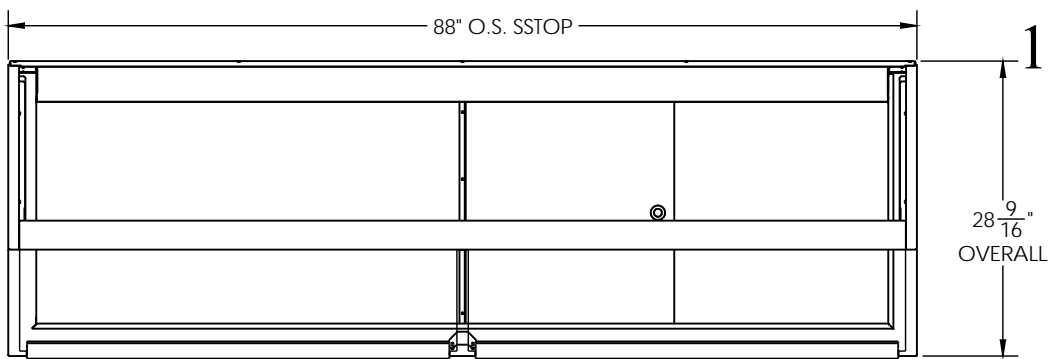
SNEEZE
GUARD
POWER
ON - OFF

CABINET
POWER
ON - OFF

DIGITAL
CONTROL

POWER
CORD





16DIP-HV

