

VISUAL DISPLAY DIPPING CABINETS



SPECS AND FEATURES FOR VISUAL DISPLAY DIPPING CABINETS



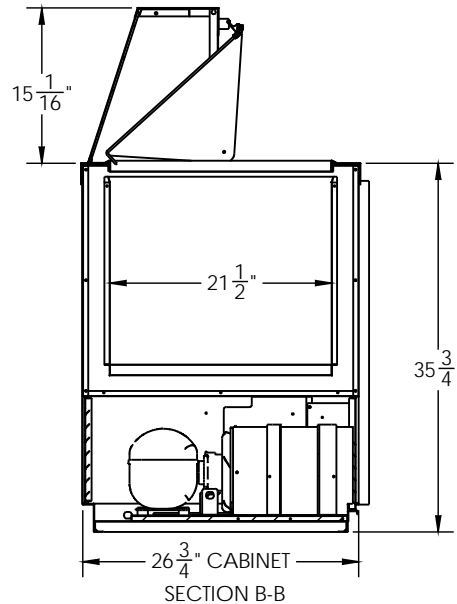
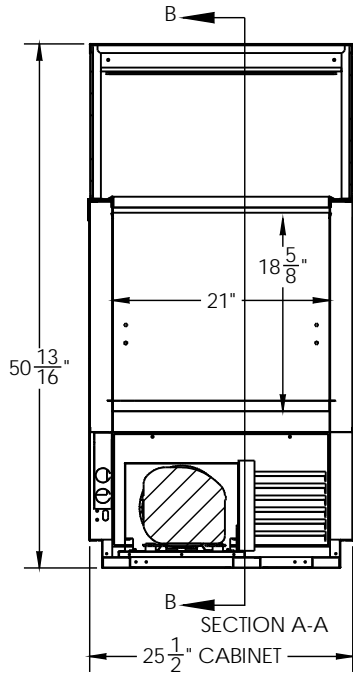
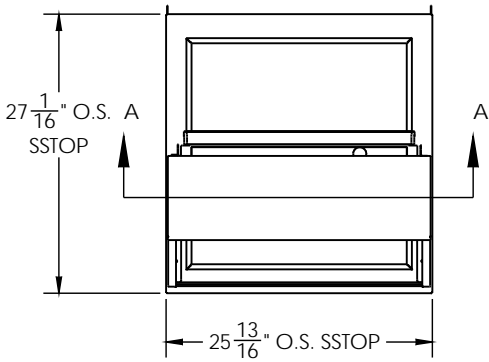
- SQUARED VIEWING WINDOW
- INTERIOR STAINLESS STEEL
- GLASS CANOPY CONSTRUCTION
- PTEG LIFT LIDS
- LED LIGHTS



- COLD WALL EVAPORATORS
- MANUAL DEFROST
- FORCED-AIR TUBULAR CLOG FREE CONDENSOR
- ELECTRONIC PROGRAMMABLE TEMPERATURE CONTROL

MODEL	4DIP, 27"	6DIP, 37"	8DIP, 47"	10DIP, 57"	12DIP, 67"	16DIP, 87"
TUB CAPACITY	(4) 3-GAL TUBS	(8) 3-GAL CANS	(12) 3-GAL CANS	(16) 3-GAL CANS	(20) 3-GAL CANS	(28) 3-GAL CANS
TOP FACING	4 FACING	6 FACING	8 FACINGS	10 FACINGS	12 FACINGS	16 FACINGS
BOTTOM STORAGE	n/a	2 STORAGE	4 STORAGE	6 STORAGE	8 STORAGE	12 STORAGE
TEMP RANGE	-10 DEG F. TO +20 DEG F.	-10 DEG F. TO +20 DEG F.	-10 DEG F. TO +20 DEG F.	-10 DEG F. TO +20 DEG F.	-10 DEG F. TO +20 DEG F.	-10 DEG F. TO +20 DEG F.
COMPRESSOR H.P.	1/5 H.P. DLE4CN	1/3 H.P. NLE8.8CN	1/3 H.P. NLE8.8CN	1/2 H.P. NLE11CN	5/8 H.P. SC16CLX.2	3/4 H.P. SC18CLX.2
ELECTRICAL - STD	115 V., 8 AMPS	115 V., 8 AMPS	115 V., 8 AMPS	115 V., 8 AMPS	115 V., 8 AMPS	115V., 10 AMPS
OPTIONAL	220V., 4 AMPS	220V., 4 AMPS	220V., 4 AMPS	220V., 4 AMPS	220V., 4 AMPS	220V., 6 AMPS
REFRIGERANT	R290	R290	R290	R290	R452	R452

4DIP



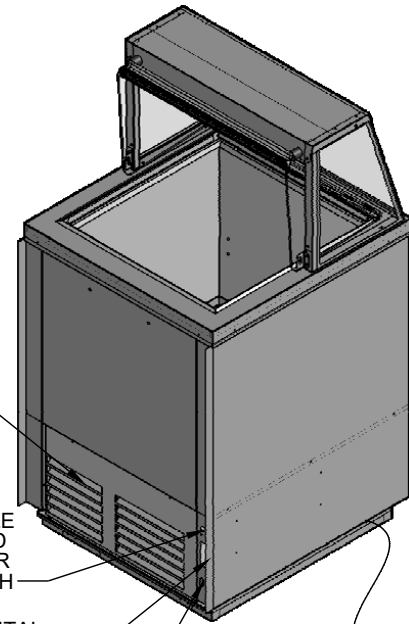
1" DRAIN
BEHIND
LOUVER

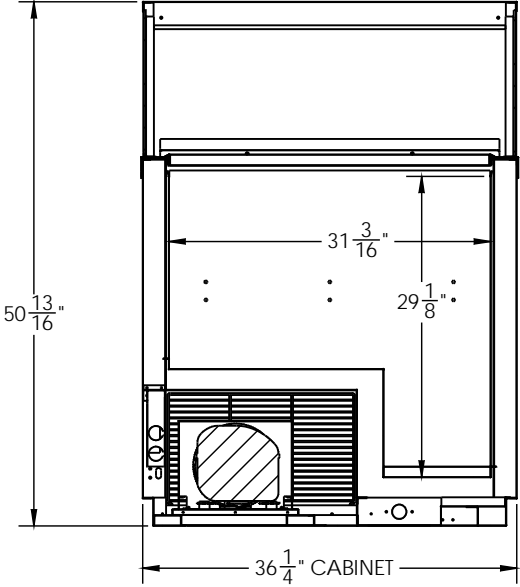
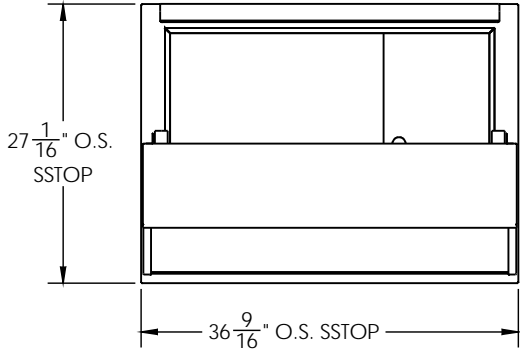
SNEEZE
GUARD
POWER
SWITCH

DIGITAL
CONTROL

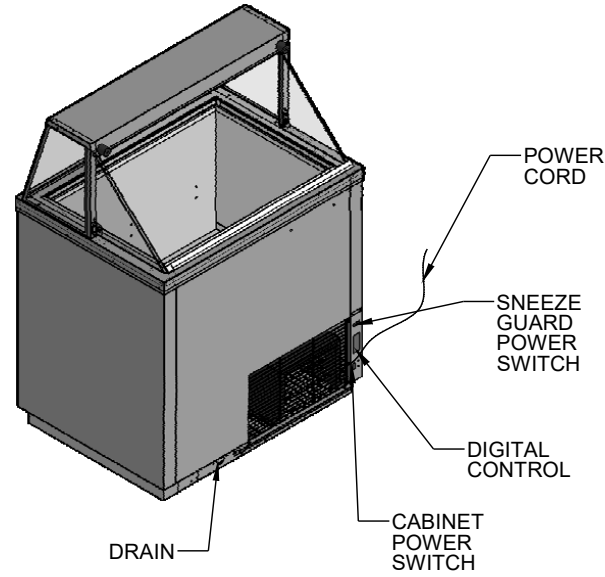
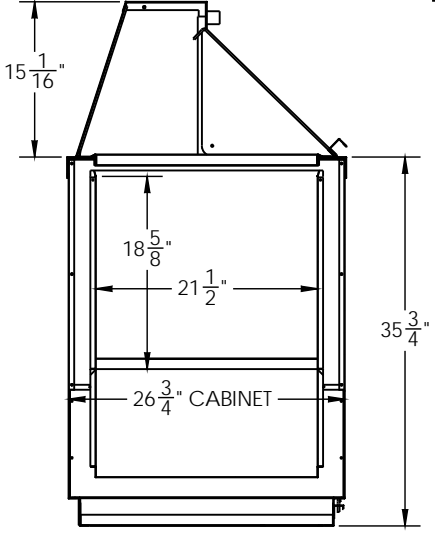
CABINET
POWER
SWITCH

POWER
CORD

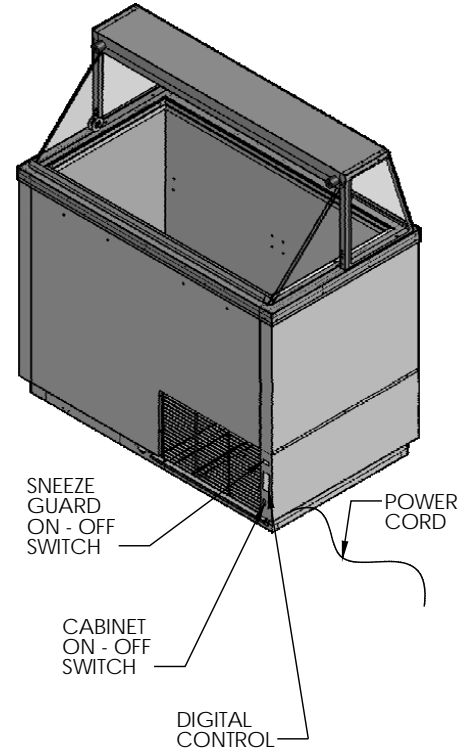
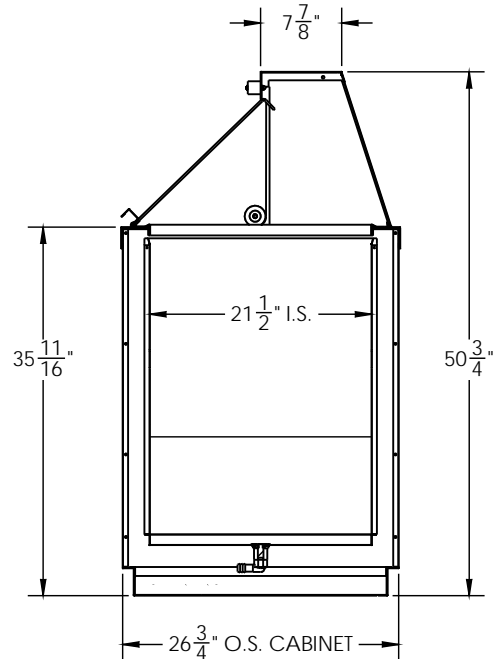
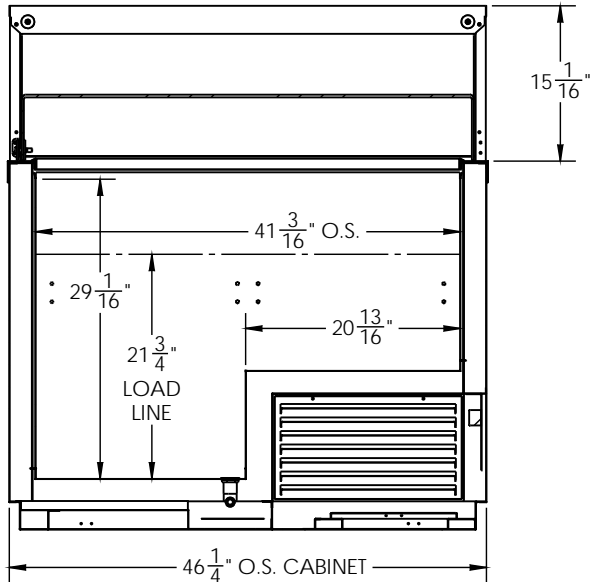
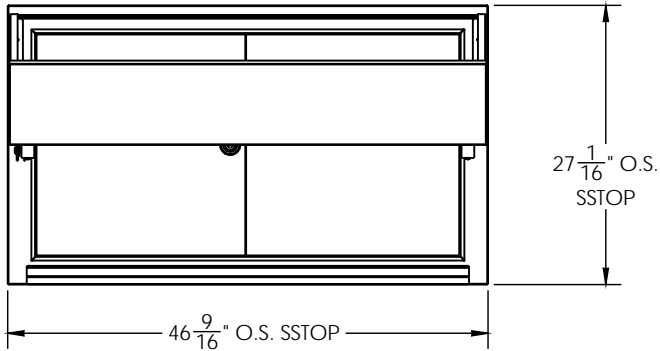




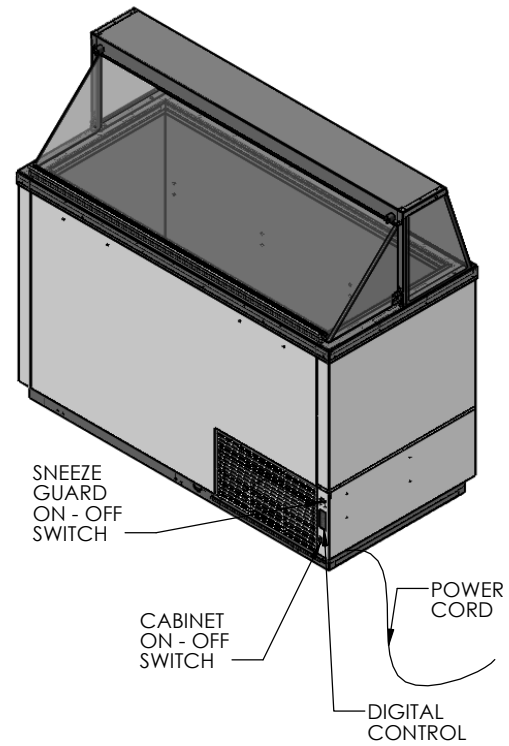
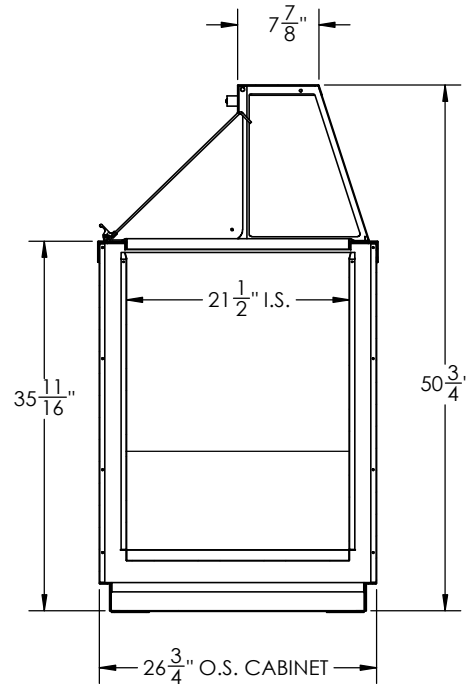
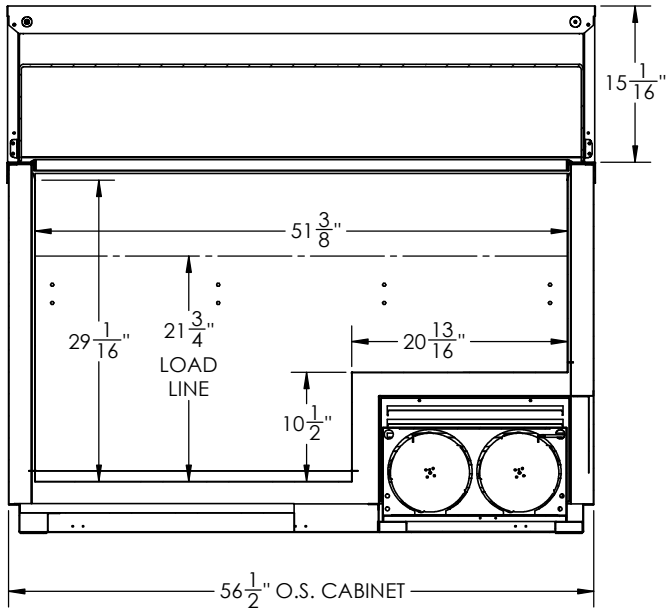
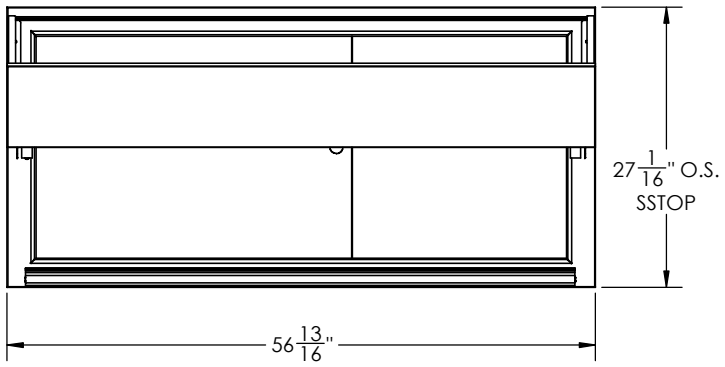
6DIP



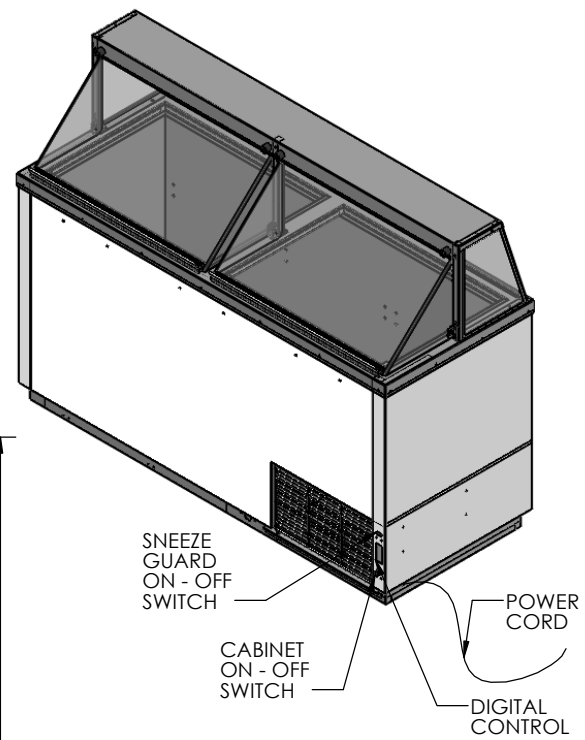
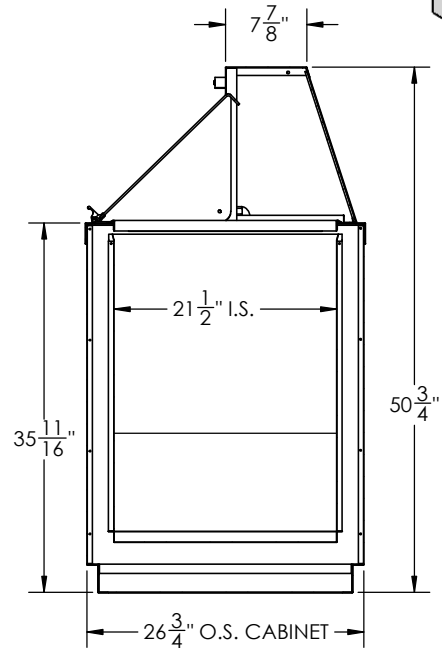
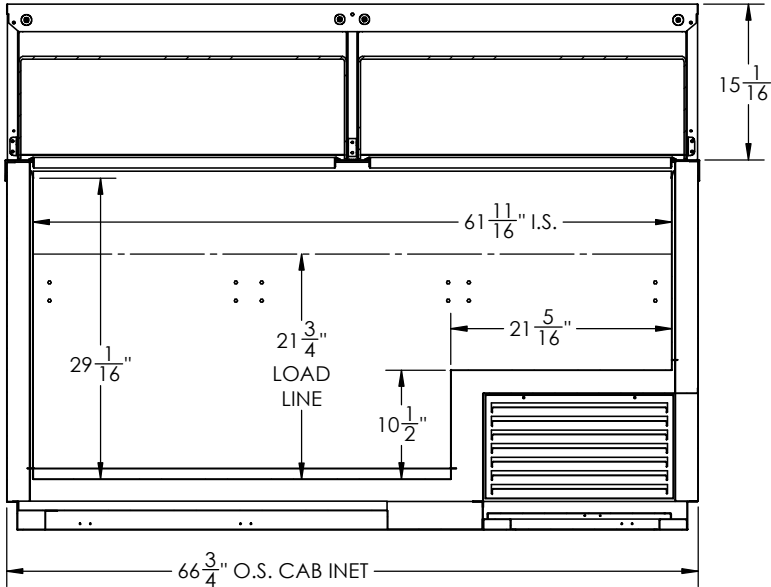
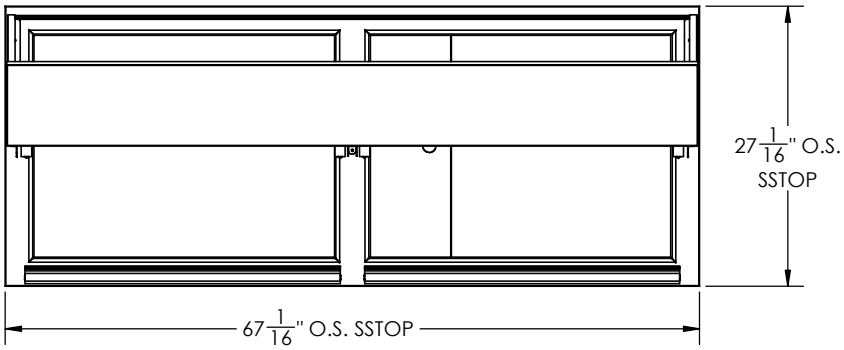
8DIP

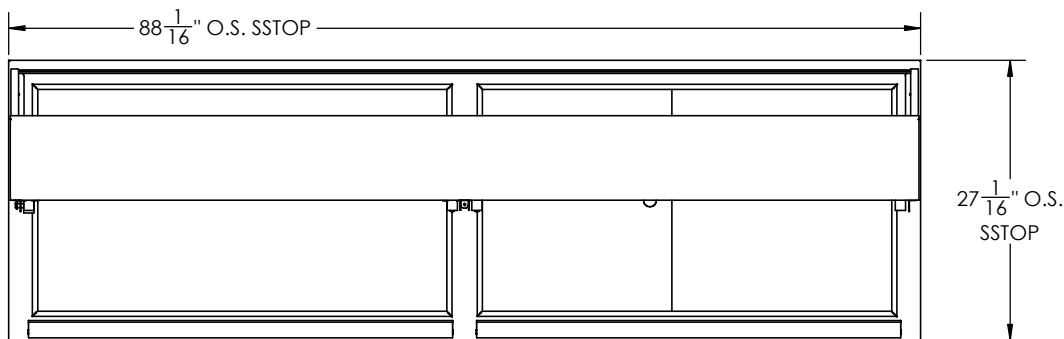


10DIP



12DIP





16DIP

