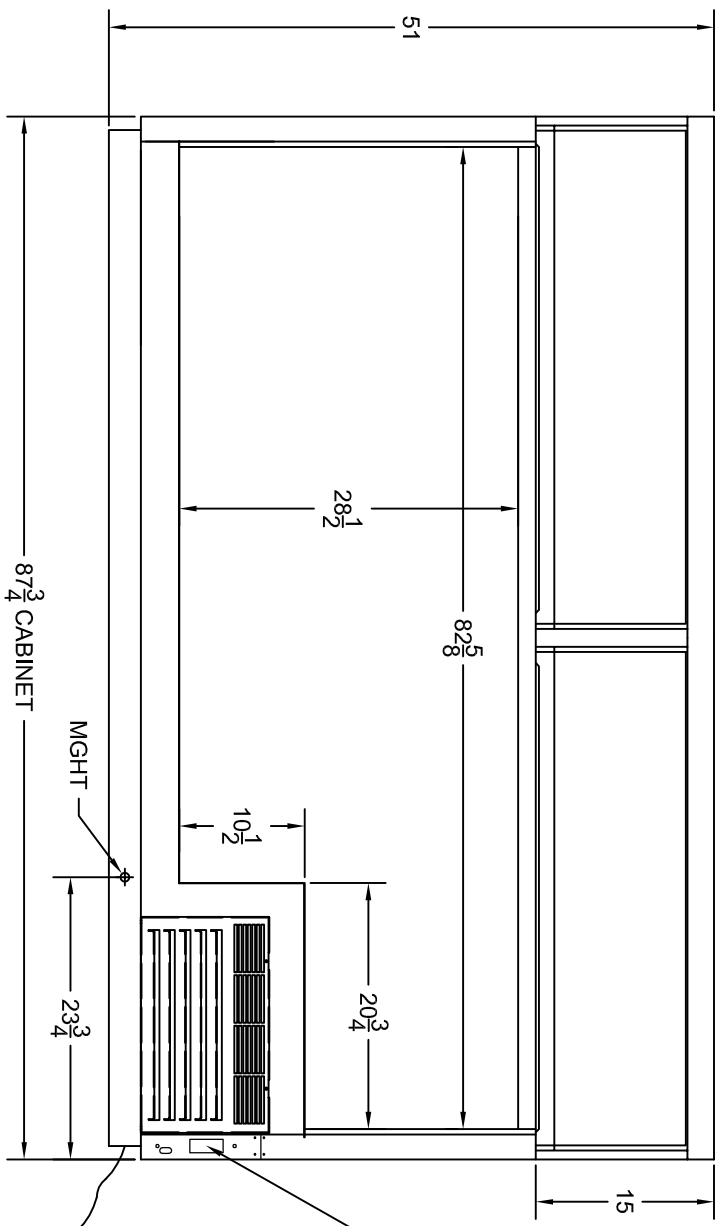


88 ¹/₈ O.S. SSTOP



51

82 ⁵/₈

28 ¹/₂

10 ¹/₂

20 ³/₄

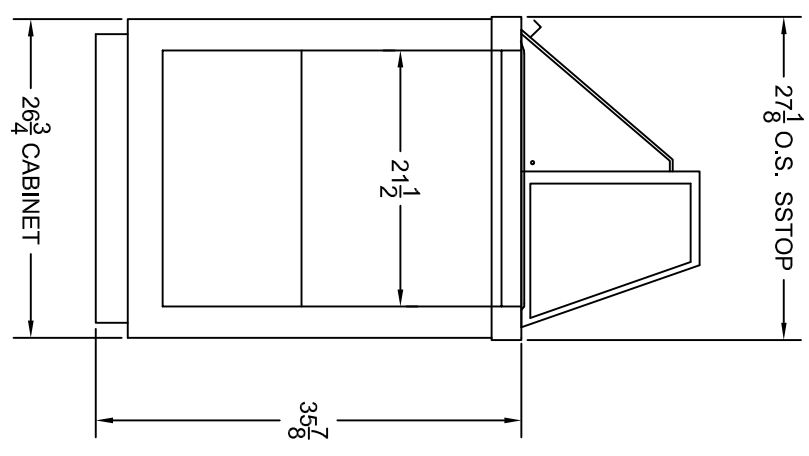
23 ³/₄

15

DIGITAL
T-STAT

87 ³/₄ CABINET

MGHT



27 ¹/₈ O.S. SSTOP

21 ¹/₂

35 ⁷/₈

26 ³/₄ CABINET

"A" PAC 11-08-10 ADDED T-STAT LOCATION UPDATED LOUVER AND LINER STEP	
REV.	
C. NELSON MFG.	
TITLE: 16-DIP	
USED ON: FINISHED GOODS	1 OF 1
DWN. BY: PAC	REV.
DATE: 09/12/05	A
SCALE: AUTO	
PART NO.: 16-DIP	