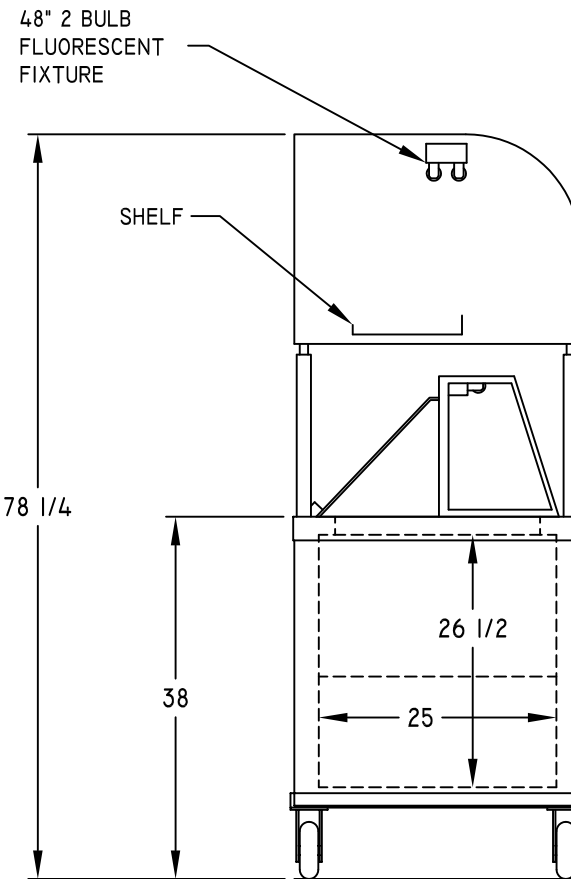
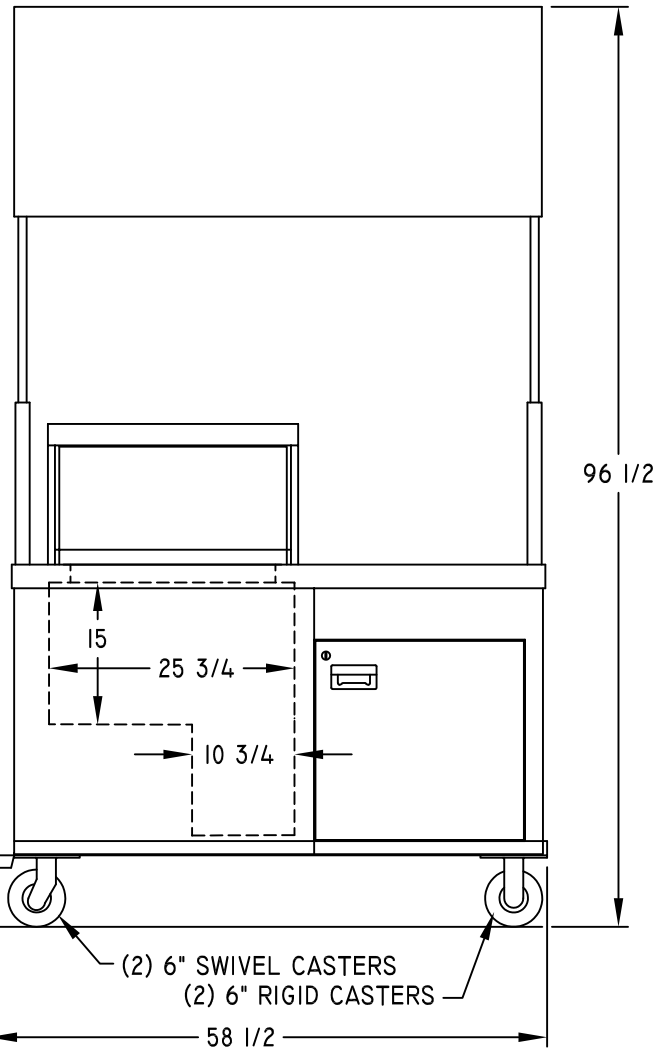


MEETING HEALTH DEPARTMENT
REQUIREMENTS ARE THE
RESPONSIBILITY OF THE CUSTOMER



| | | |
|-------------------------|------------------------|------------|
| REV. | C. NELSON MFG. | |
| TITLE: BD-4DIPCE | | |
| USED ON: FINISHED GOODS | | 1 OF 1 |
| DWN. BY: JED | PART NO.: BD-4DIPCE-01 | REV. NR |
| DATE: 04/17/08 | | |
| SCALE: AUTO | | |