

MEETING HEALTH DEPARTMENT
REQUIREMENTS ARE THE
RESPONSIBILITY OF THE CUSTOMER

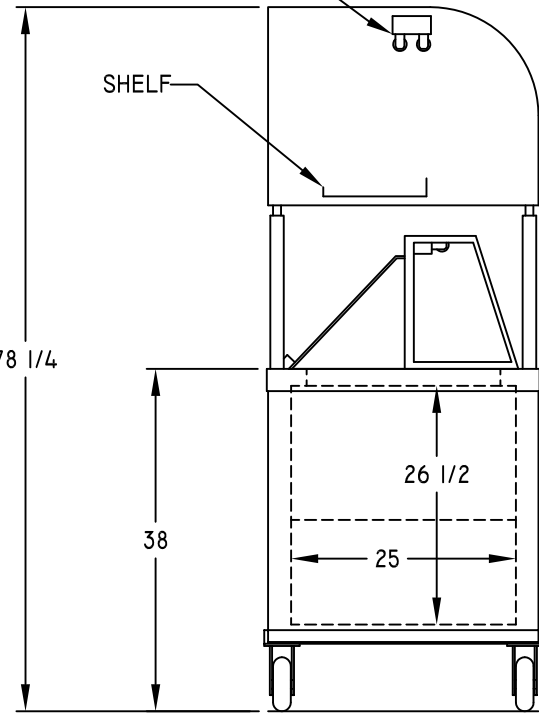
OPTIONAL CANOPY

OPTIONAL SPRING
ASSIST POLES

48" 2 BULB
FLUORESCENT
FIXTURE

SHELF

(2) 6" SWIVEL CASTERS
(2) 6" RIGID CASTERS



REV.		C. NELSON MFG.	
TITLE: BD-4DIPCE W/ SINK DIP WELL			
USED ON: FINISHED GOOD			1 OF 1
DWN. BY: JEO	PART NO.: BD-4DIPCE-04		REV. NR
DATE: 04/16/08			
SCALE: AUTO			