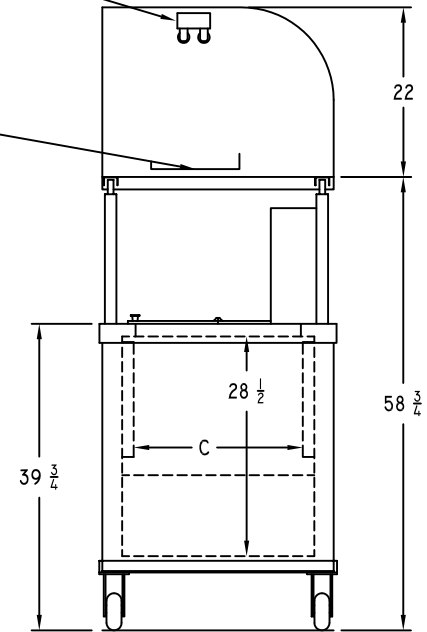
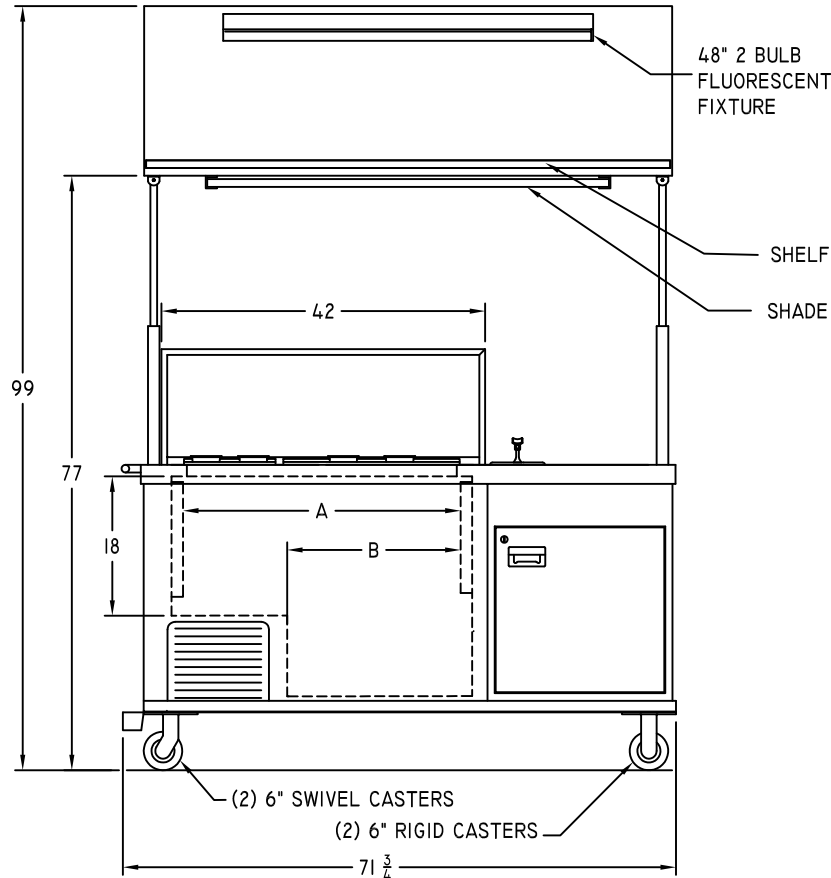
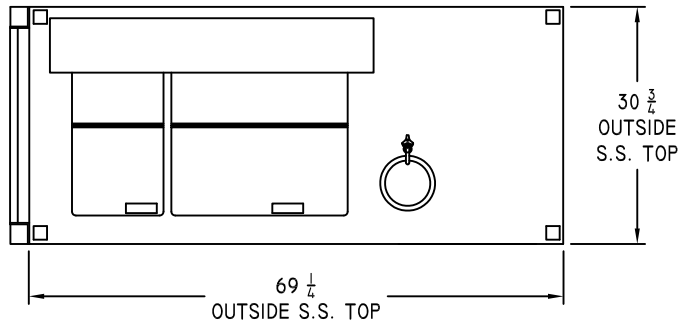


LABEL	DIM. WITH COLD PLATE	DIM. W/O COLD PLATE
A	36	39
B	22 1/2	24
C	22	25

MEETING HEALTH DEPARTMENT
REQUIREMENTS ARE THE
RESPONSIBILITY OF THE CUSTOMER



REV.	C. NELSON MFG.	
TITLE: BD-6CE W/ DIPWELL		
USED ON: FINISHED GOODS		1 OF 1
DWN. BY: JED	PART NO.: BD-6CE-02	REV. NR
DATE: 04/18/08		
SCALE: AUTO		