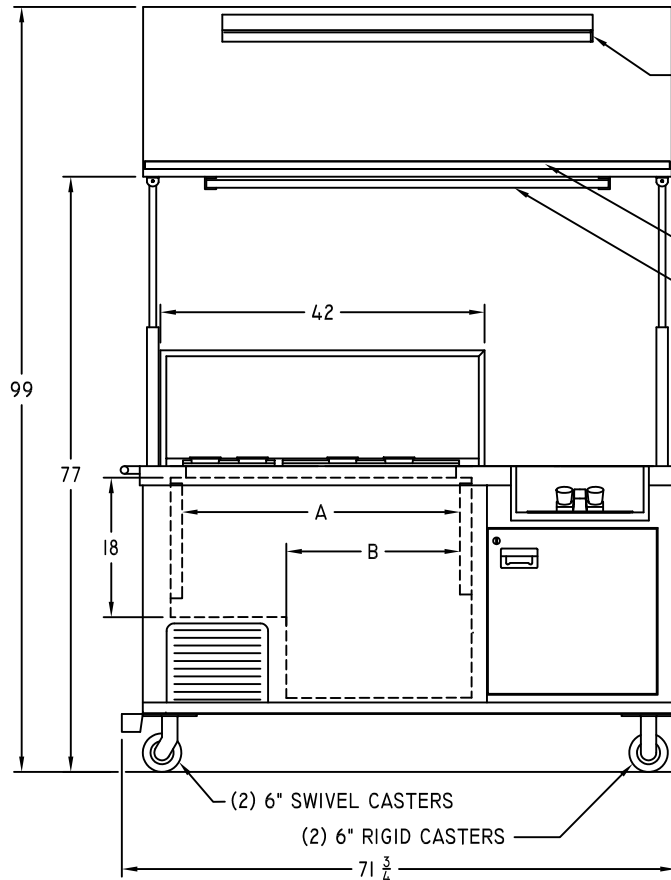


LABEL	DIM. WITH COLD PLATE	DIM. W/O COLD PLATE
A	36	39
B	22 1/2	24
C	22	25

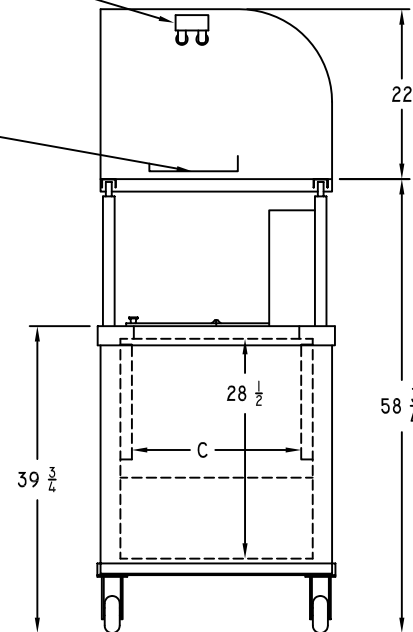
MEETING HEALTH DEPARTMENT
REQUIREMENTS ARE THE
RESPONSIBILITY OF THE CUSTOMER



48" 2 BULB
FLUORESCENT
FIXTURE

SHELF

SHADE



39 3/4

28 1/2

22

58 3/4

REV.		C. NELSON MFG.	
TITLE: BD-6CE WITH SINK			
USED ON: FINISHED GOODS			1 OF 1
DWN. BY: JED	PART NO.:		REV.
DATE: 04/18/08	BD-6CE-03		NR
SCALE: AUTO			