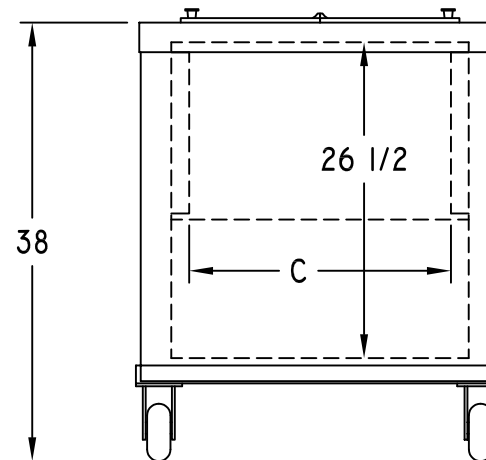
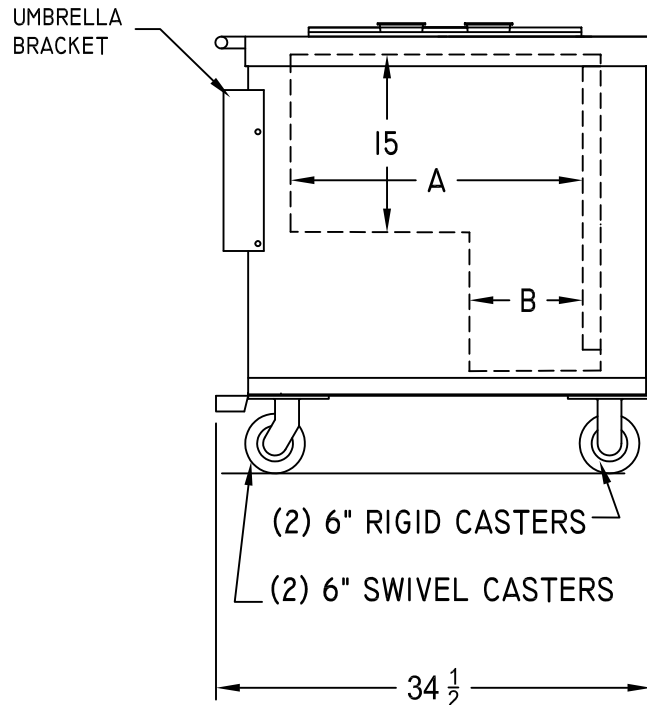


LABEL	DIM. WITH COLD PLATE	DIM. W/O COLD PLATE
A	24 $\frac{1}{4}$	25 $\frac{3}{4}$
B	9 $\frac{1}{4}$	10 $\frac{3}{4}$
C	22	25

MEETING HEALTH DEPARTMENT
REQUIREMENTS ARE THE
RESPONSIBILITY OF THE CUSTOMER



REV.		C. NELSON MFG.	
TITLE: BD4-CE NO EXT.			
USED ON: FINISHED GOODS			1 OF 1
DWN. BY: JED	PART NO.: BD4-CE-00		REV.
DATE: 04/24/08			NR
SCALE: AUTO			