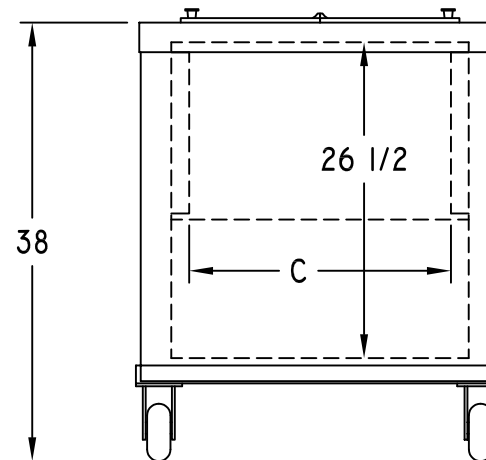
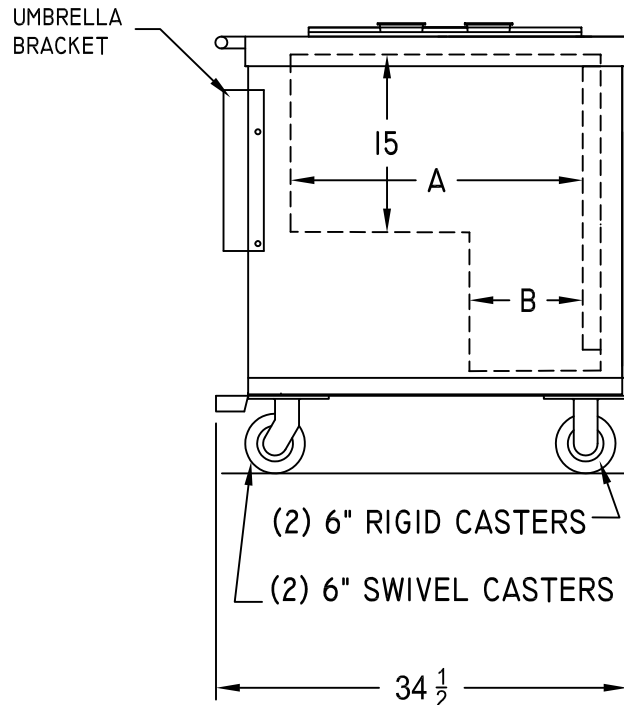


LABEL	DIM. WITH COLD PLATE	DIM. W/O COLD PLATE
A	24 $\frac{1}{4}$	25 $\frac{3}{4}$
B	9 $\frac{1}{4}$	10 $\frac{3}{4}$
C	22	25

MEETING HEALTH DEPARTMENT  
REQUIREMENTS ARE THE  
RESPONSIBILITY OF THE CUSTOMER



REV.		C. NELSON MFG.	
TITLE: BD4CU			
USED ON: FINISHED GOODS			1 OF 1
DWN. BY: JED	PART NO.:		REV. A
DATE: 04/24/08	BD4CU		
SCALE: AUTO			