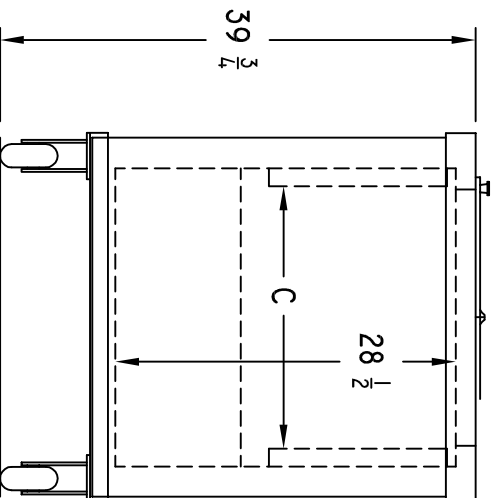
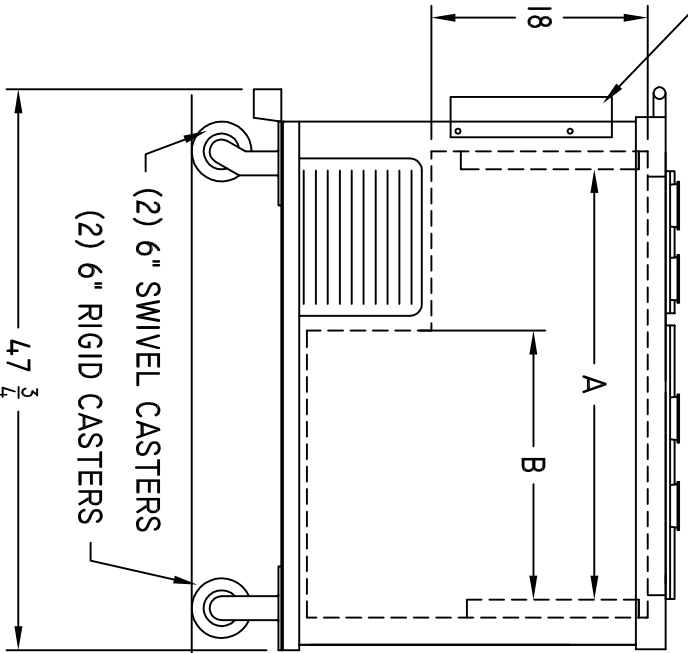


LABEL	DIM. WITH COLD PLATE	DIM. W/O COLD PLATE
A	36	39
B	22 1/2	24
C	22	25

MEETING HEALTH DEPARTMENT
 REQUIREMENTS ARE THE
 RESPONSIBILITY OF THE CUSTOMER

UMBRELLA
 BRACKET



REV

C. NELSON MFG.

TITLE: BD6-CE ND EXT.

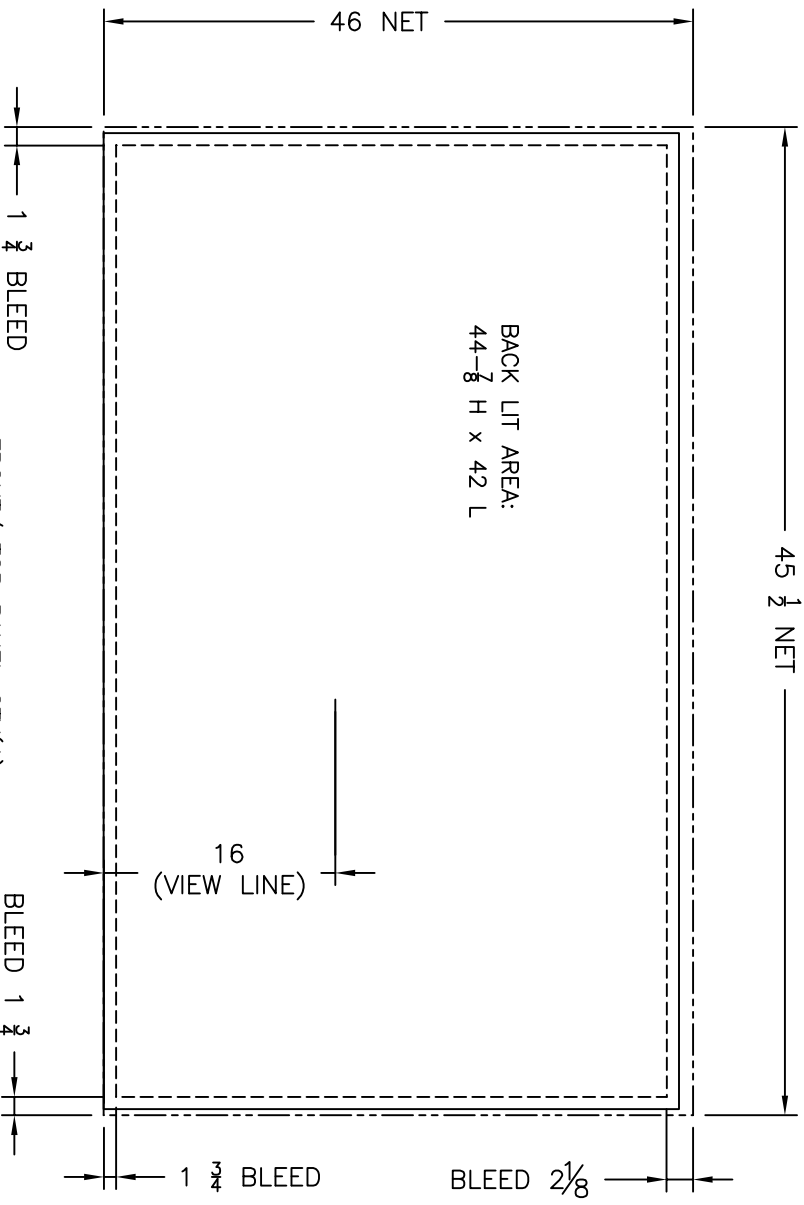
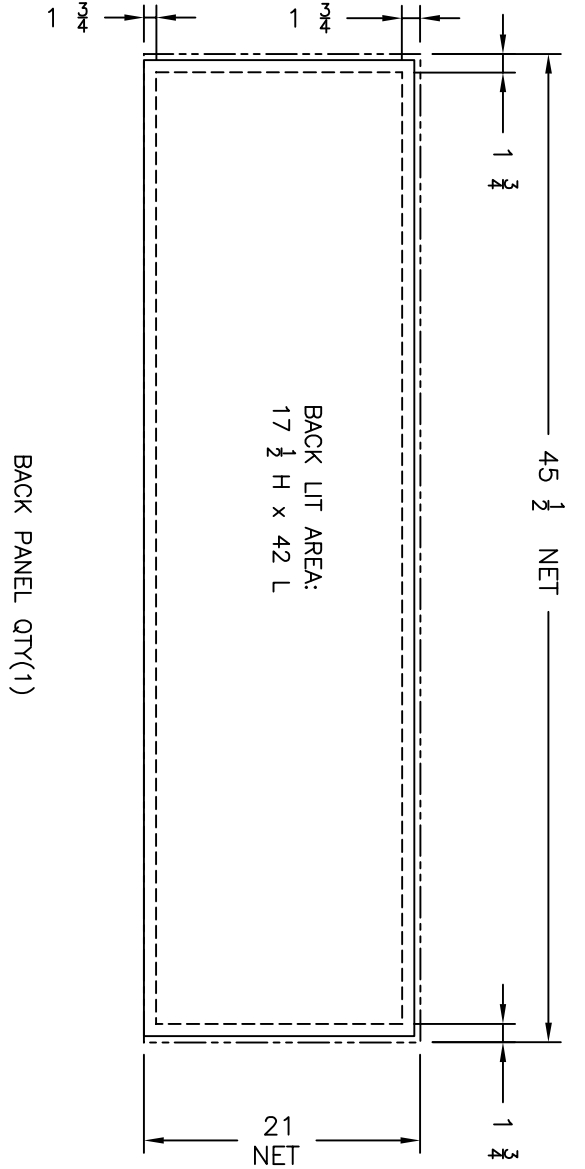
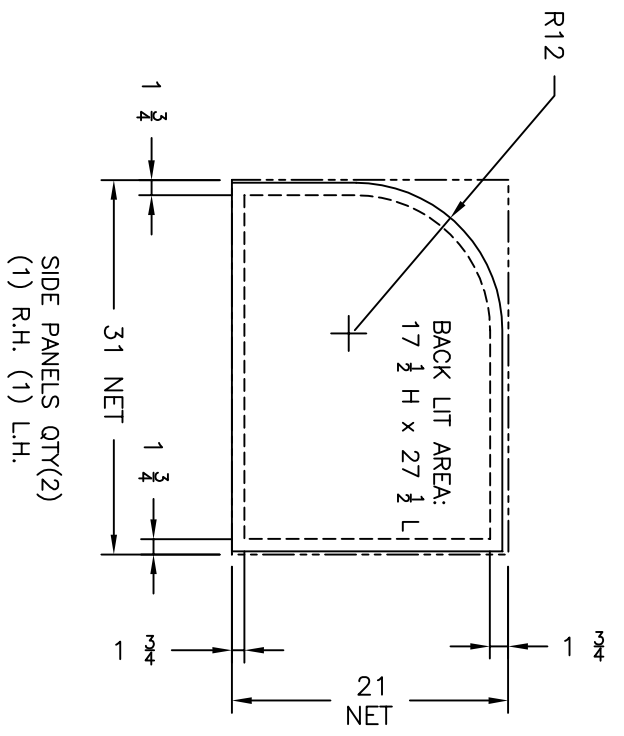
USED ON: FINISHED GOODS

1 OF 1

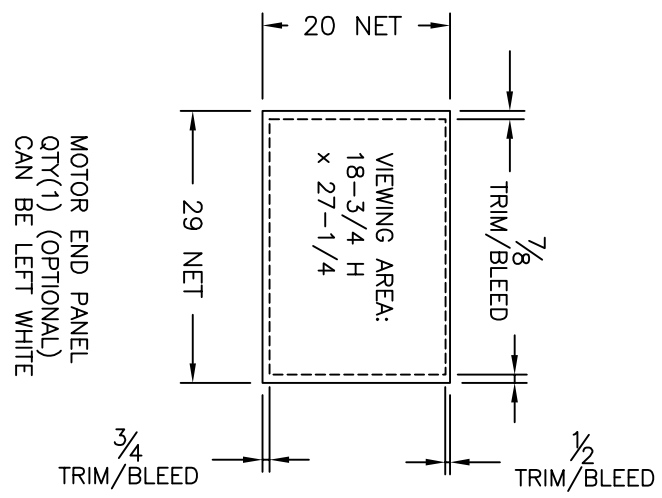
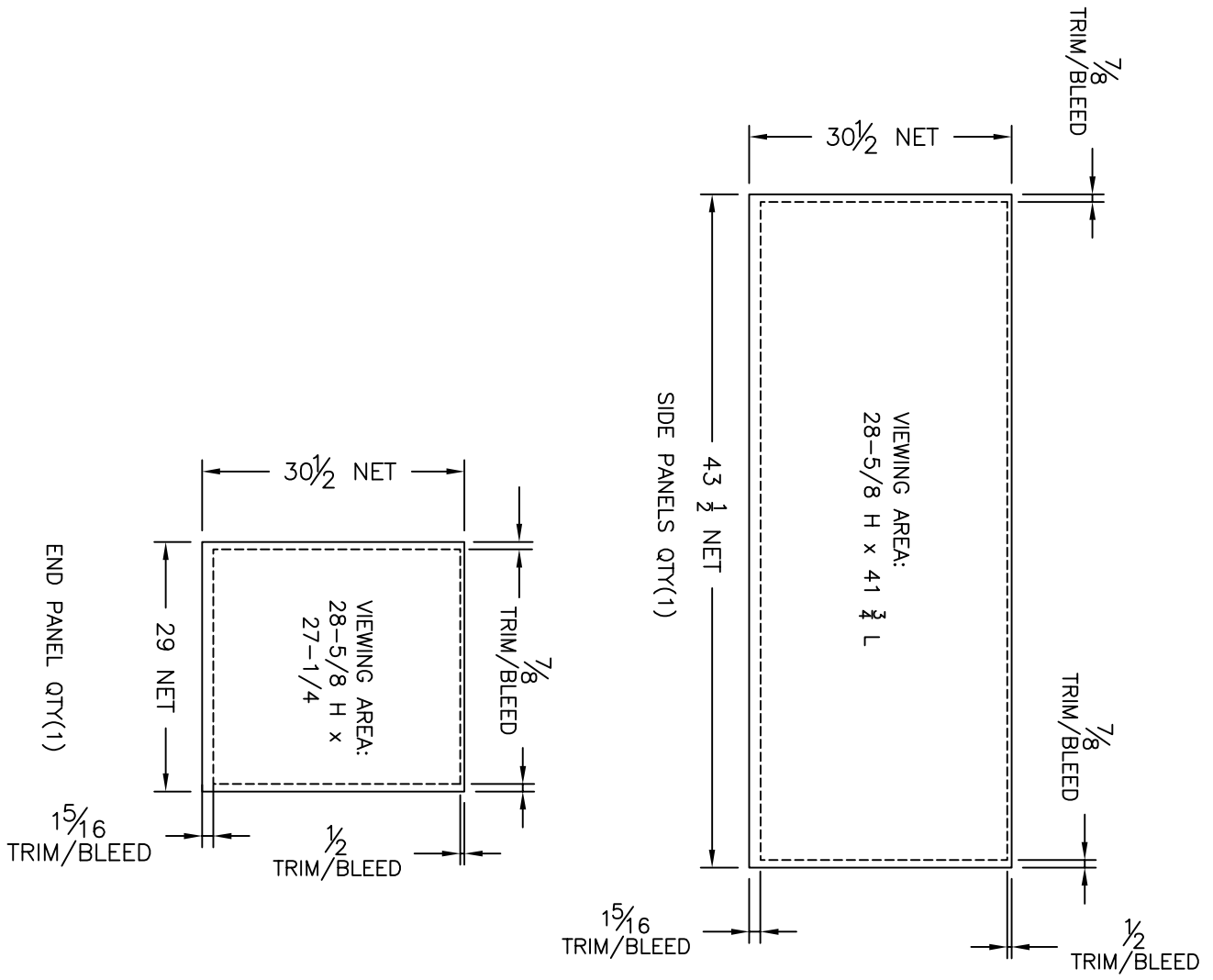
DWN. BY: JED
 DATE: 04/24/08
 SCALE: AUTO

PART NO.: BD6-CE-00

REV.
 NR



REV.			
TITLE:	C. NELSON MFG.		
USED ON:	BD6CE CANOPY PANEL LAYOUT		2 OF 2
DWN. BY:	JED		
DATE:	02/05/10	PART NO.:	BD6CE(DIP)-00
SCALE:	AUTO		
REV.			NR



MOTOR END PANEL
QTY(1) (OPTIONAL)
CAN BE LEFT WHITE

REV.

C. NELSON MFG.

TITLE: BD-6CE PANEL LAYOUT

USED ON: BD-6CE WITH NO EXT

DWN. BY: JED
DATE: 2/5/10
SCALE: AUTO

PART NO.: BD6CE(DIP)-00

2 OF 2

REV.
NR