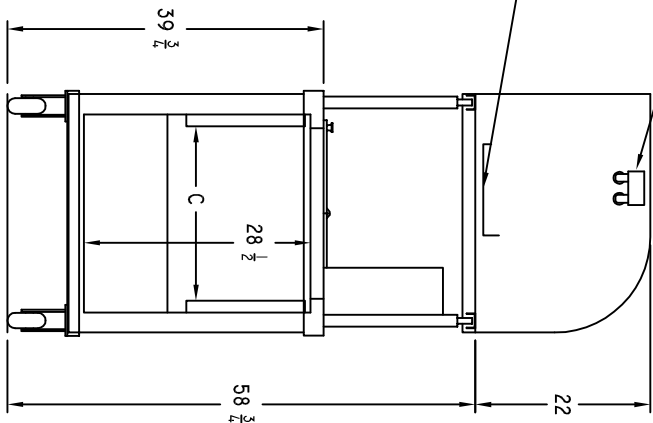
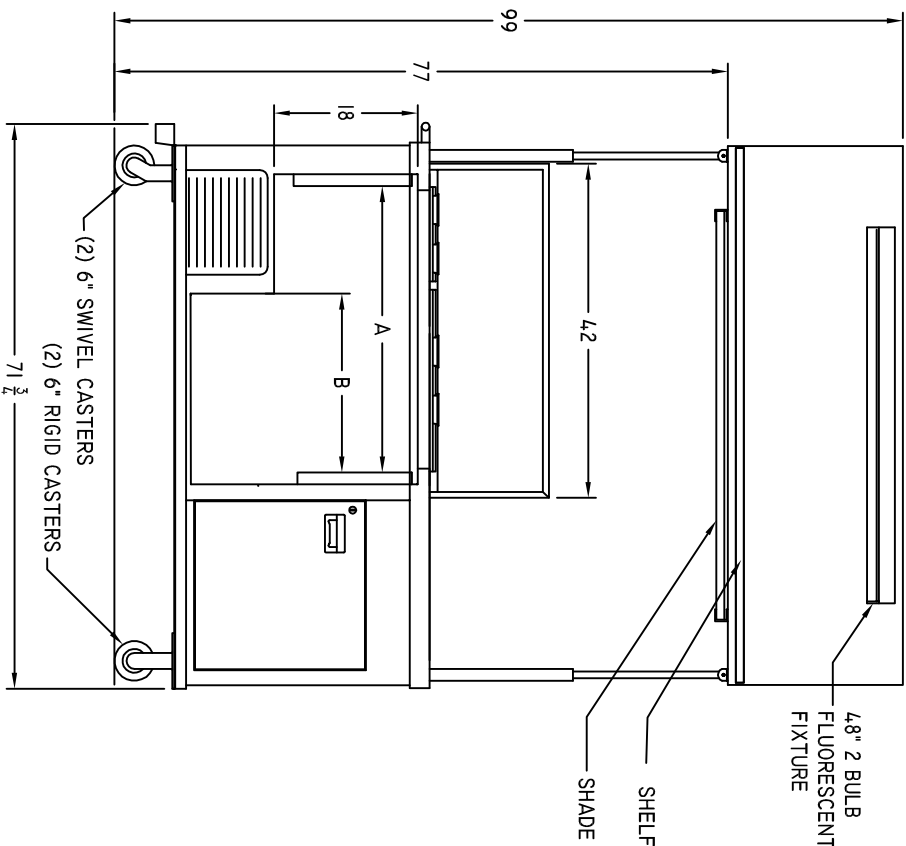


LABEL	DIM. WITH COLD PLATE	DIM. W/O COLD PLATE
A	36	39
B	22 1/2	24
C	22	25

MEETING HEALTH DEPARTMENT  
REQUIREMENTS ARE THE  
RESPONSIBILITY OF THE CUSTOMER



REV. \_\_\_\_\_

**C. NELSON MFG.**

TITLE: BD6-CE WITH EXT.

USED ON: FINISHED GOODS

DWN. BY: JED

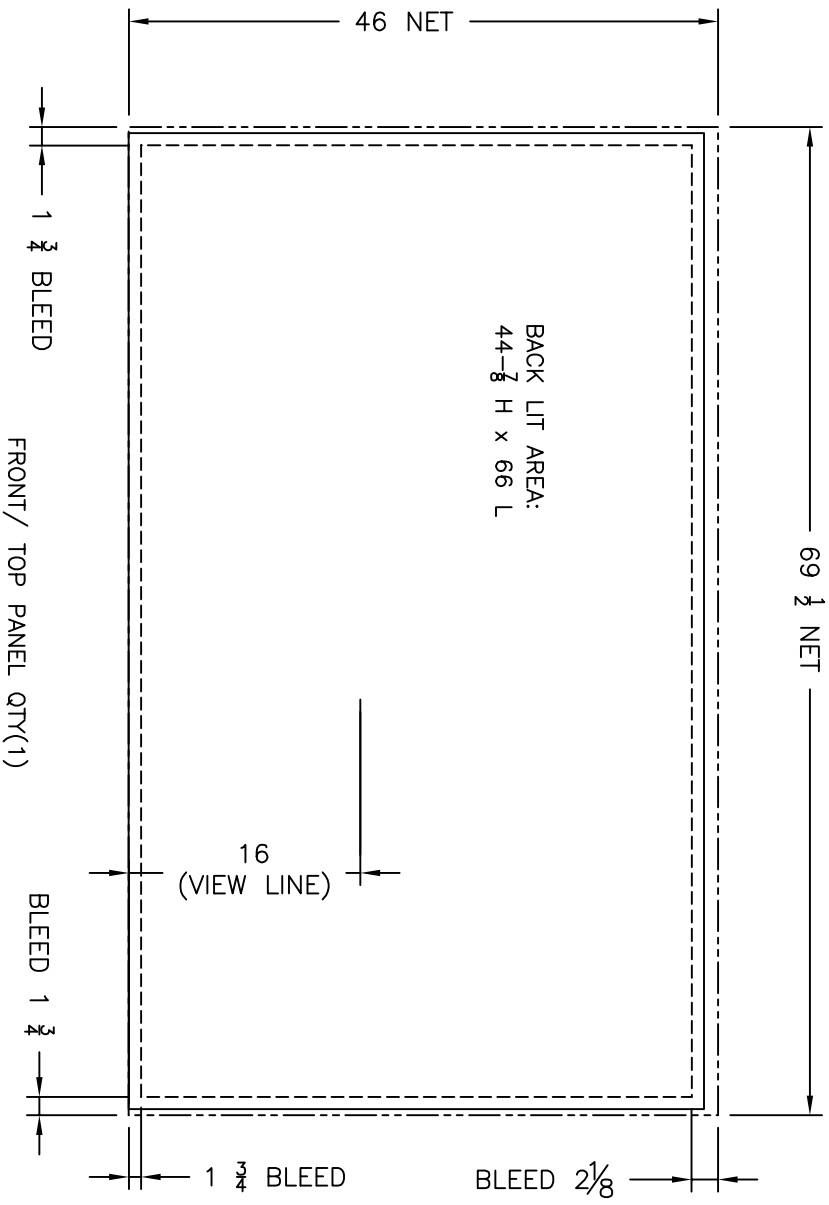
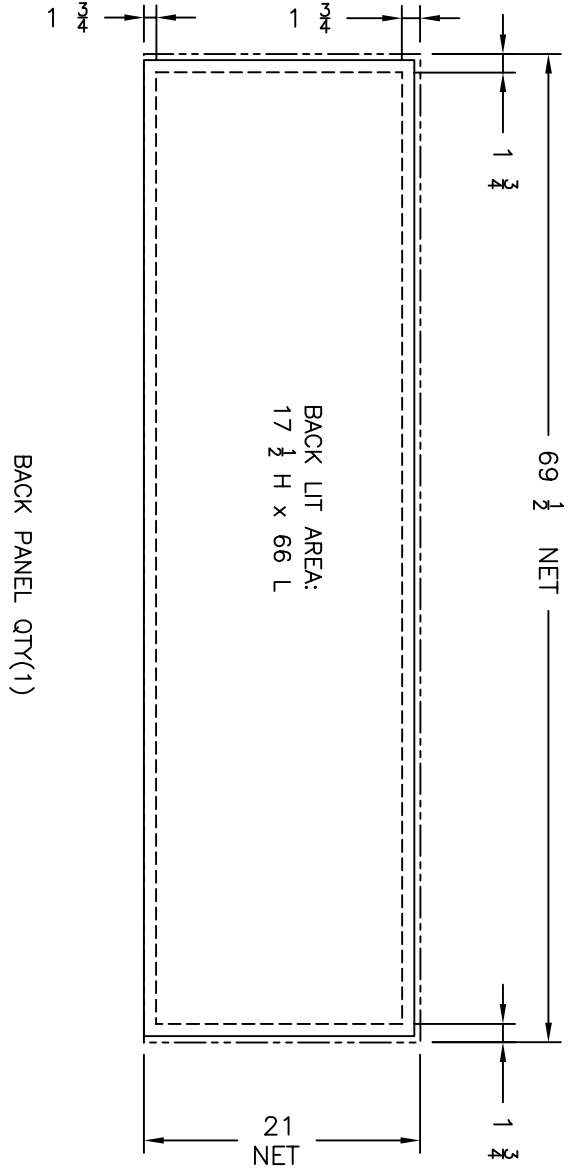
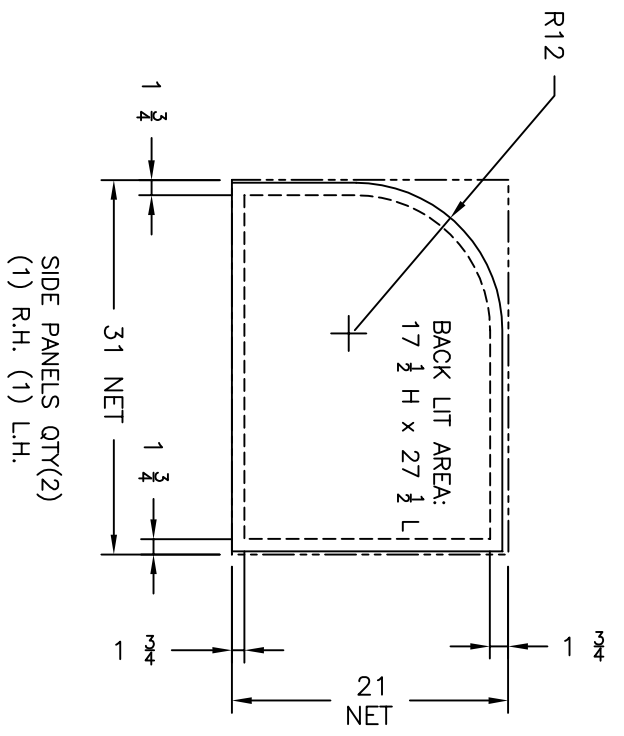
DATE: 2/4/2010

SCALE: AUITD

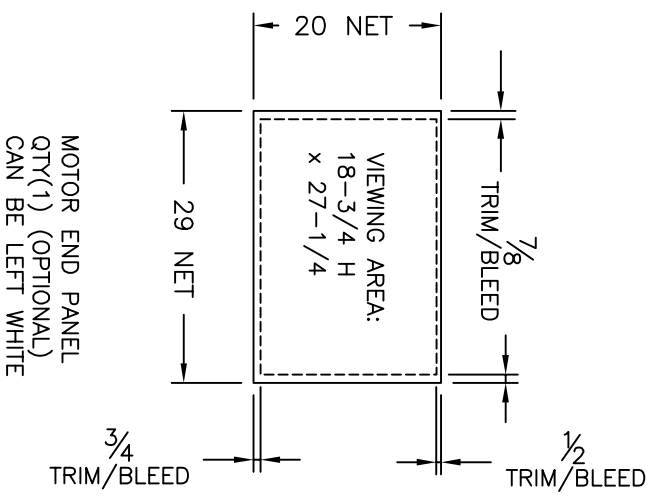
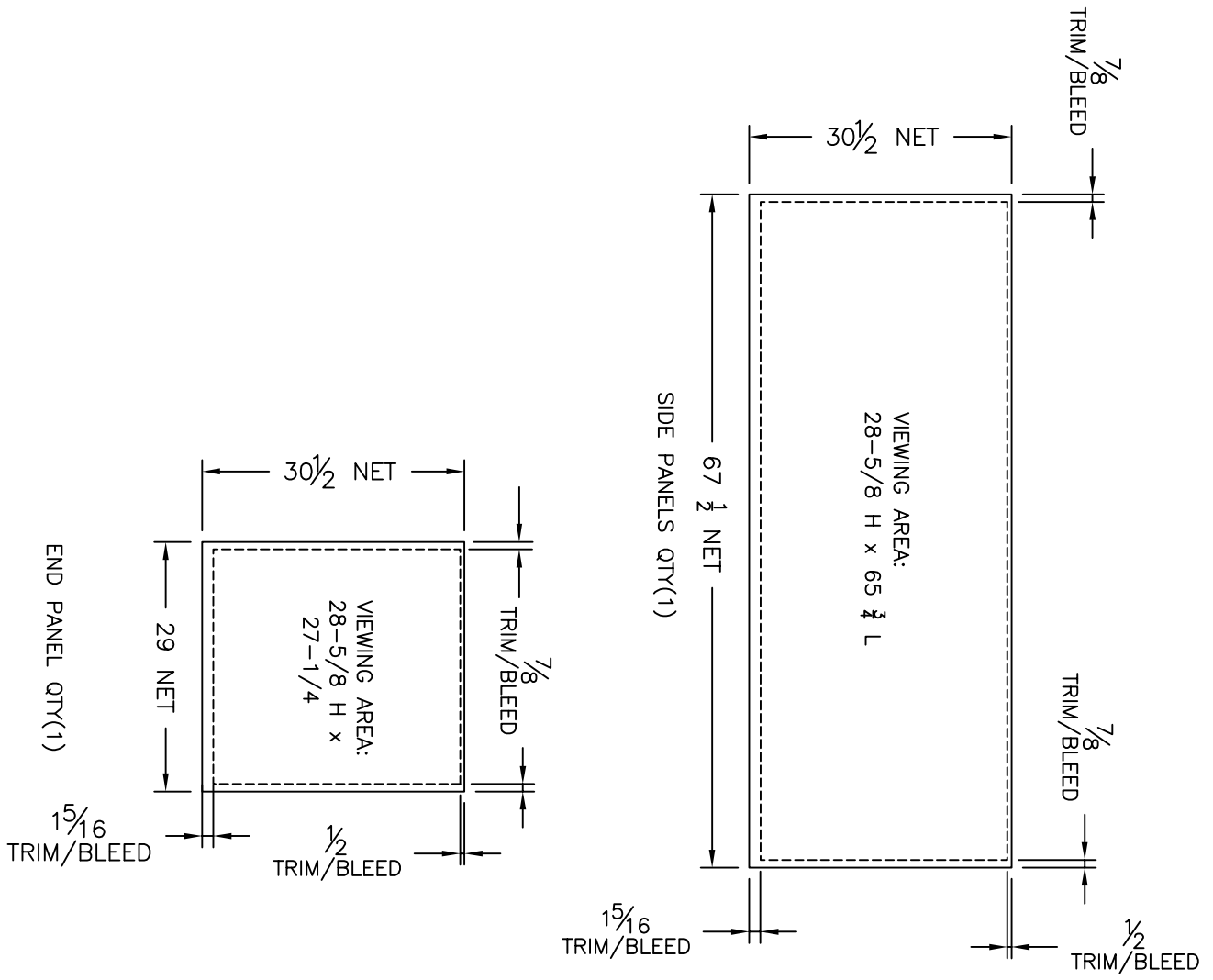
PART NO.: BD6-CE-01

1 OF 1

REV. NR



REV.	C. NELSON MFG.	
TITLE:	BD6CE CANOPY PANEL LAYOUT	
USED ON:	BD-6CE W/24" EXT.	2 OF 2
DWN. BY:	JED	REV.
DATE:	02/05/10	NR
SCALE:	AUTO	
PART NO.:	BD6CE(DIP)-01-02-03	



REV.

C. NELSON MFG.

TITLE: BD-6CE PANEL LAYOUT

USED ON: BD-6CE W/24" EXT

DWN. BY: JED  
DATE: 2/5/10  
SCALE: AUTO

2 OF 2

PART NO.: BD6CE(DIP)-01-02-03

REV. NR