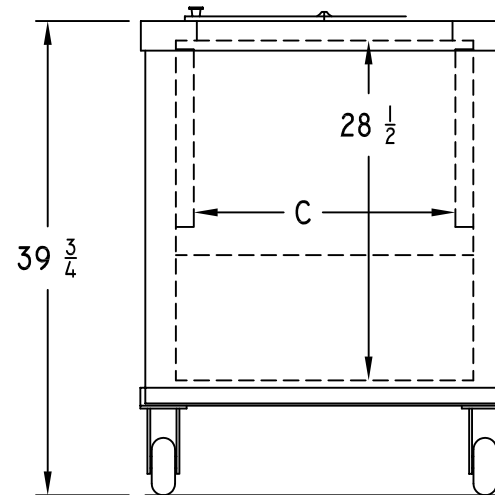
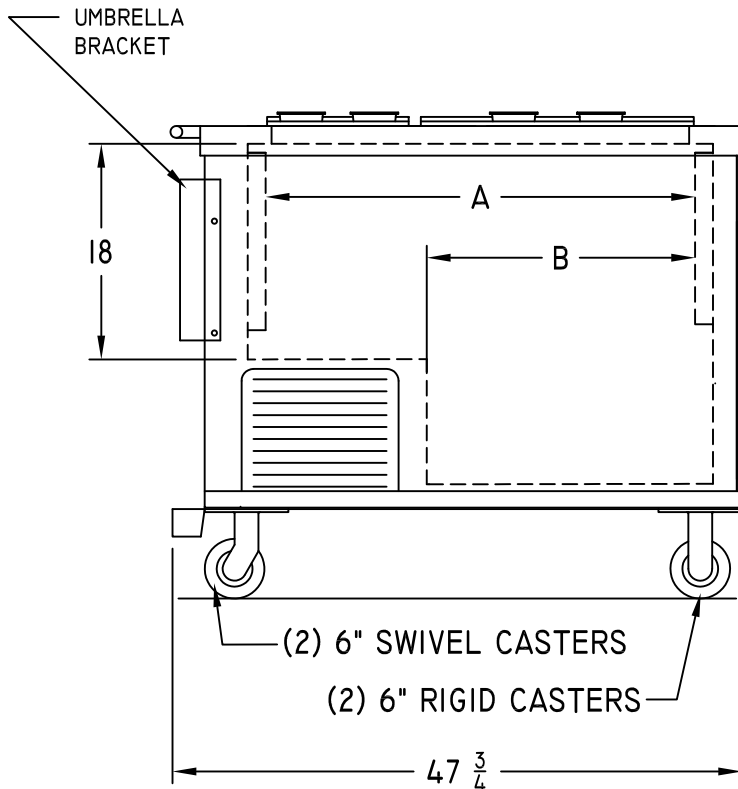


LABEL	DIM. WITH COLD PLATE	DIM. W/O COLD PLATE
A	36	39
B	22 $\frac{1}{2}$	24
C	22	25

MEETING HEALTH DEPARTMENT
REQUIREMENTS ARE THE
RESPONSIBILITY OF THE CUSTOMER



REV.	C. NELSON MFG.	
TITLE: BD6CU		
USED ON: FINISHED GOODS		1 OF 1
DWN. BY: JED	PART NO.: BD6CU	REV. NR
DATE: 04/24/08		
SCALE: AUTO		