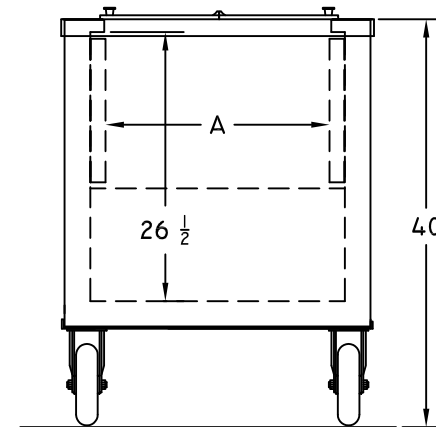
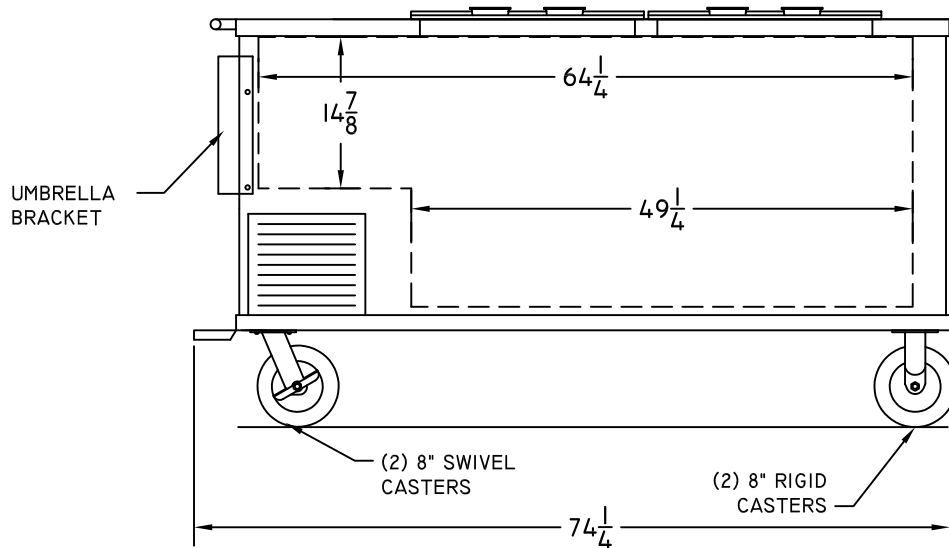
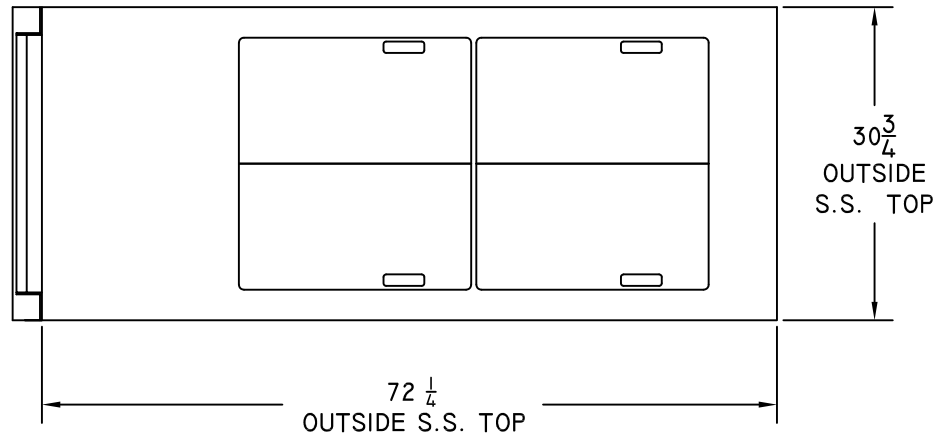


LABEL	DIM. WITH COLD PLATE	DIM. W/O COLD PLATE
A	22	25

MEETING HEALTH DEPARTMENT
REQUIREMENTS ARE THE
RESPONSIBILITY OF THE
CUSTOMER



REV.		C. NELSON MFG.	
TITLE: BD10-CU			
USED ON: FINISHED GOODS			1 OF 1
DWN. BY: JED	PART NO.:		BD10-CU
DATE: 04/24/08			
SCALE: AUTO			
		REV.	A