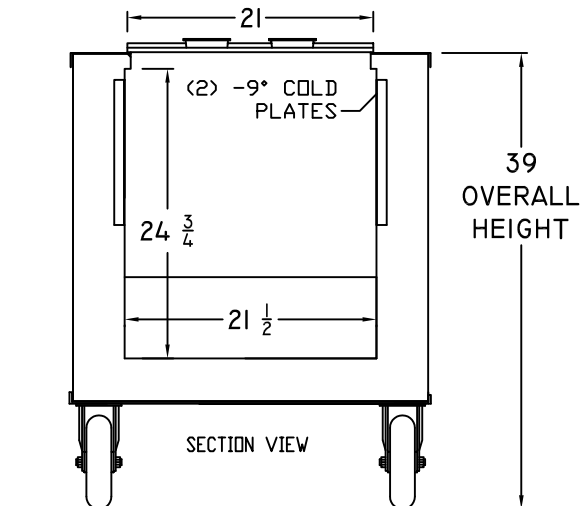
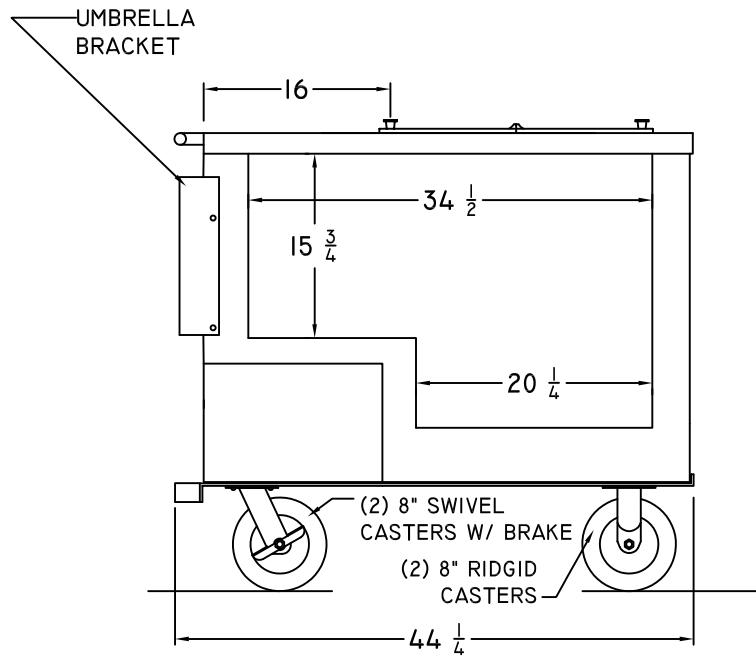
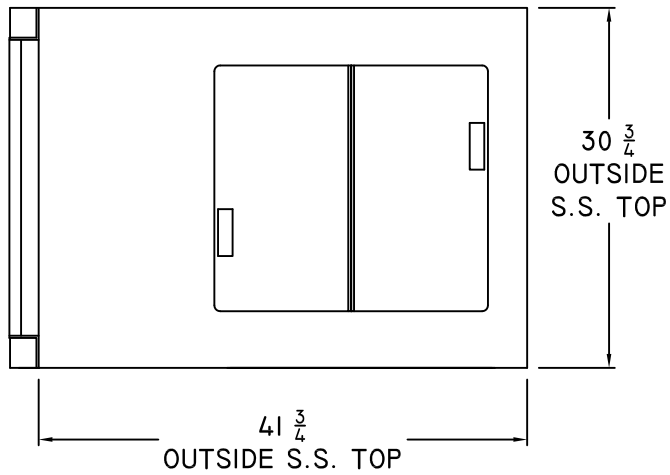


MEETING HEALTH DEPARTMENT
 REQUIREMENTS ARE THE
 RESPONSIBILITY OF THE
 CUSTOMER



REV.	C. NELSON MFG.	
TITLE:	BDC8	
USED ON:	FINISHED GOODS	1 OF 1
DWN. BY:	JED	PART NO.:
DATE:	04/23/08	
SCALE:	AUTO	
	BDC8	REV. NR