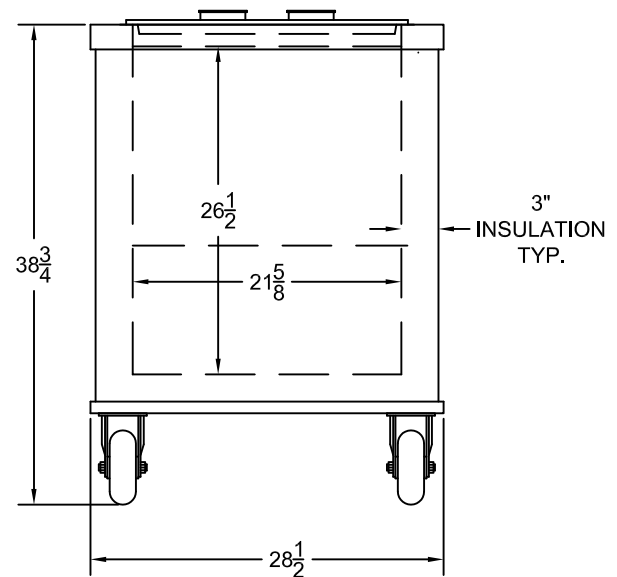
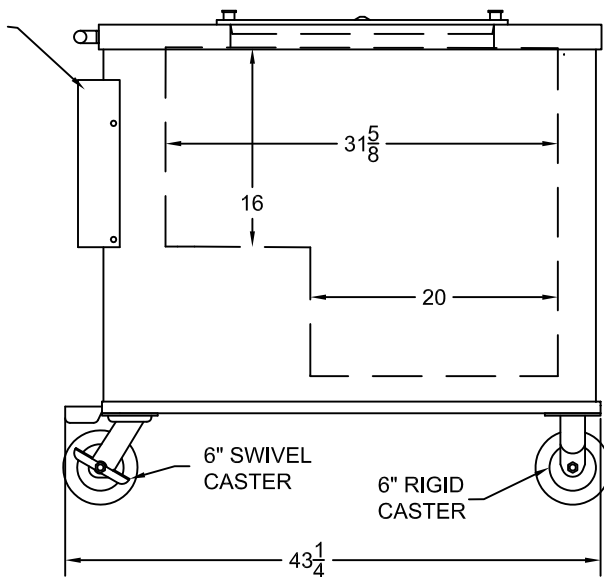


UMBRELLA
BRACKET



REV.		C. NELSON MFG.	
TITLE: LCT-6			
USED ON: LCT			1 OF 1
DWN. BY: JEO	PART NO.:	139	REV.
DATE: 11-10-08			NR
SCALE: AUTO			