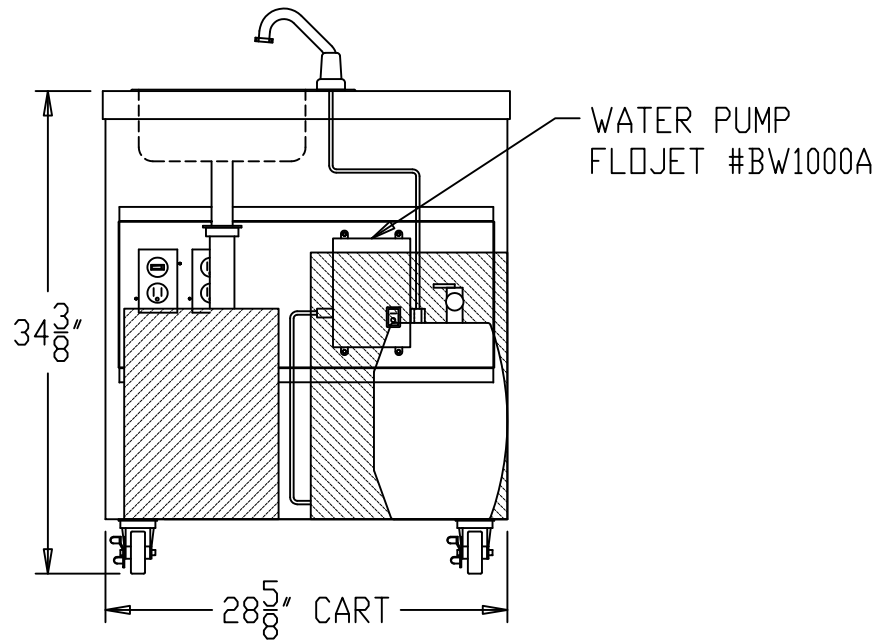


WASTE WATER
7 GALLON
11" X 11" X 15" HIGH



REV.		C. NELSON MFG.	
TITLE: CART DETAILS			
USED ON: STANDALONE WATER			1 OF 1
DWN. BY: RMP	PART NO.: 3BOWL-TV		REV. NR
DATE: 09/20/04			
SCALE: 1/14			