

Call 419-898-3305

2011-08-15



www.cnelson.com .sales@cnelson.com
265 N. Lake Winds Parkway
Oak Harbor, OH 43449, U.S.A.
Anytime, Anywhere

We got the red pencil out and slashed prices on our new gelato style dipping cabinets. A Limited Time Offer.

Experience the sleek styling of European gelato cabinets from Nelson at a fraction of the price and a fraction of the operating costs. The simplicity, efficiency and effectiveness of cold wall refrigeration means less maintenance for you and a lower energy bill. Our curved glass dipping cabinets are designed for standard 3-gallon containers of ice cream with optional racks to display gelato pans or other special containers such as rectangular tubs or Ropak containers. LED lighting highlights your products in the warmest, truest light available. Digital temperature controls allow for precise setting of the cabinet temperature, whether you are serving ice cream, gelato, or Italian ices.

These products are manufactured in Oak Harbor, OH with the most experienced ice cream cabinet manufacturing team in America. (Yeah! We're a bunch of old farts!)

8-HV NEW Internet Special Price ~~\$3848~~ **\$3468**

12 HV NEW Internet Special Price ~~\$5460~~ **\$4836**

16 HV NEW Internet Special Price ~~\$5949~~ **\$5304**



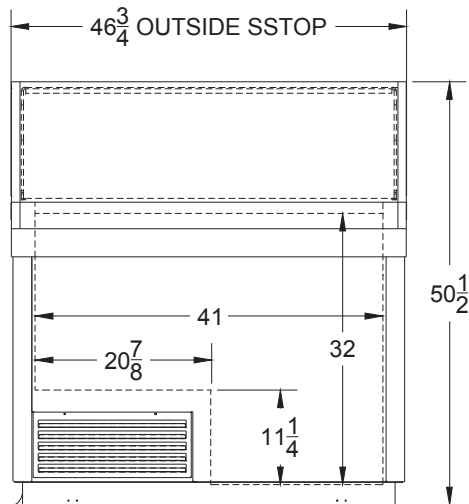
Bringing customers up close & personal with your product



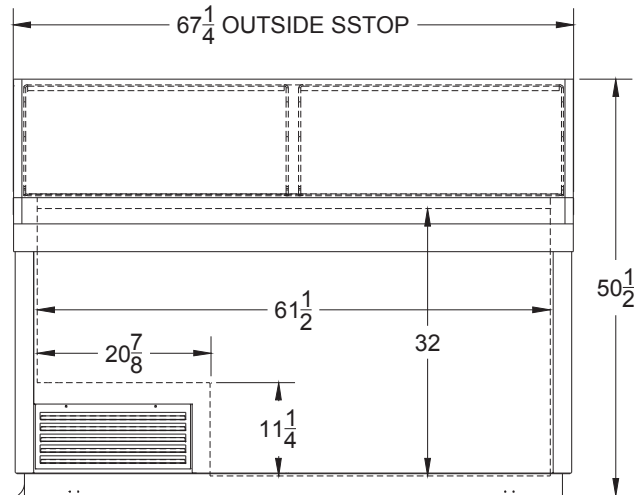
419-898-3305



www.cnelson.com sales@cnelson.com
 265 N. Lake Winds Parkway
 Oak Harbor, OH 43449, U.S.A.
 Anytime, Anywhere

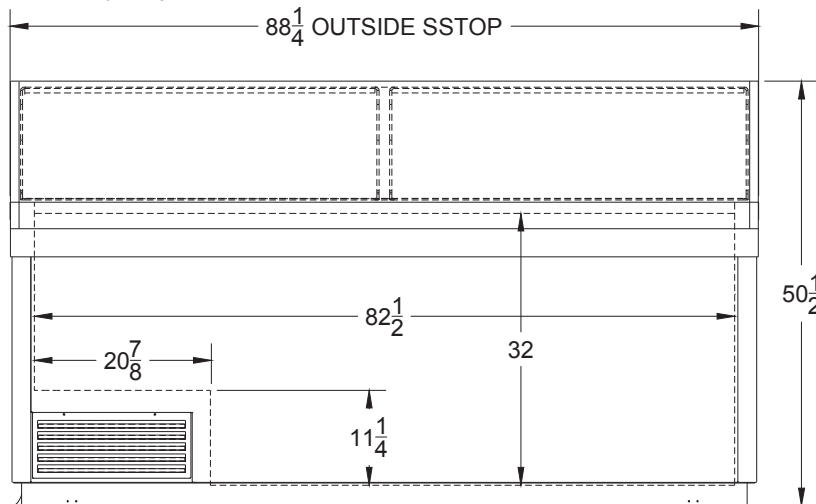


Model 8DIP-HV



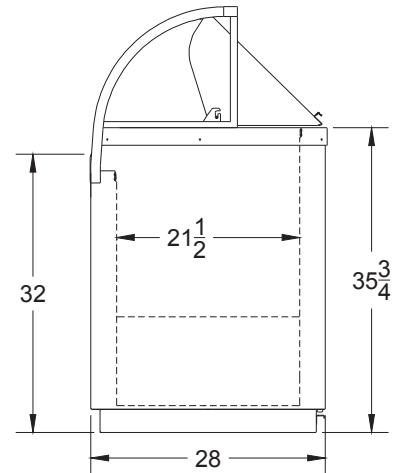
Model 12DIP-HV

SERVICE CORD
 EXTENDS 7'
 FROM BASE



Model 16DIP-HV

End View -HV



| MODEL | 8DIP-HV, 47" | 12DIP-HV, 67" | 16DIP-HV, 87" |
|----------------|--------------------------|--------------------------|--------------------------|
| CAPACITY | 12 3-GAL CANS | 20 3-GAL CANS | 28 3-GAL CANS |
| FACINGS | 8 FACINGS | 12 FACINGS | 16 FACINGS |
| TEMP RANGE | -10 DEG F. TO +30 DEG F. | -10 DEG F. TO +30 DEG F. | -10 DEG F. TO +30 DEG F. |
| COMP. H.P. | 1/3 H.P. | 3/4 H.P. | 3/4 H.P. |
| ELECTRICAL-STD | 115 V., 8 AMPS | 115 V., 10 AMPS | 115 V., 10 AMPS |
| OPTIONAL | 220 V., 4 AMPS | 220 V., 4 AMPS | 220 V., 6 AMPS |
| REFRIGERANT | R404a | R404a | R404a |