

LOUVER ON END FOR AIR OUT

32 1/2"

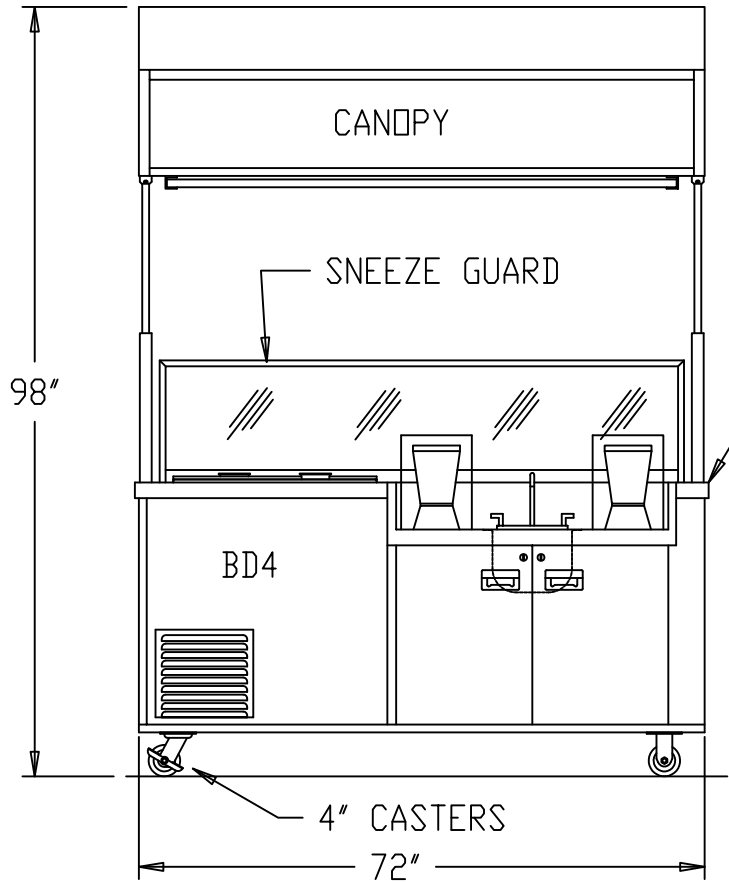
12 qt. BAINE MARIES

73"

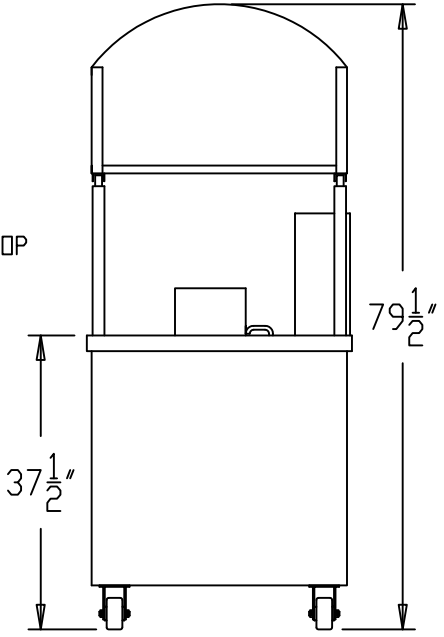
PLAN VIEW

BENDTEC SMOOTHER
P/N:ICB-3

15A	2 BLENDERS
5A	FREEZER
12A	HOT WATER HEATER



OPERATOR ELEVATION



REV.	*A* PAC REMOVED CUTOUT IN FLOOR	
C. NELSON MFG.		
TITLE: CART PROPOSAL		
USED ON: NATURAL BLENDS SMOOTHIES		1 OF 1
DWN. BY: PAC	PART NO.:	055
DATE: 12/16/04		
SCALE: AUTO		
		REV. A