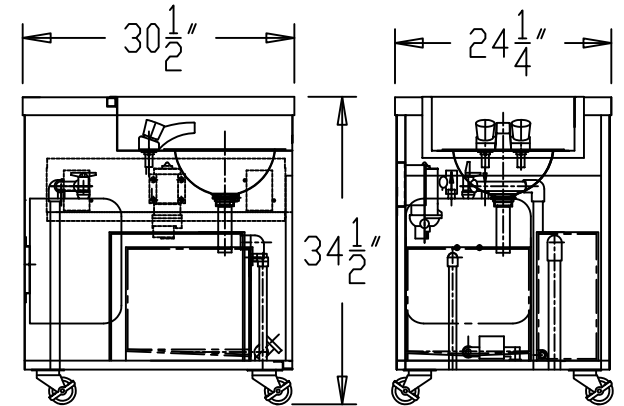
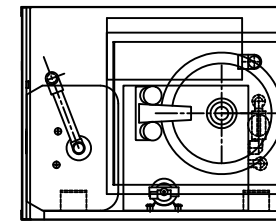
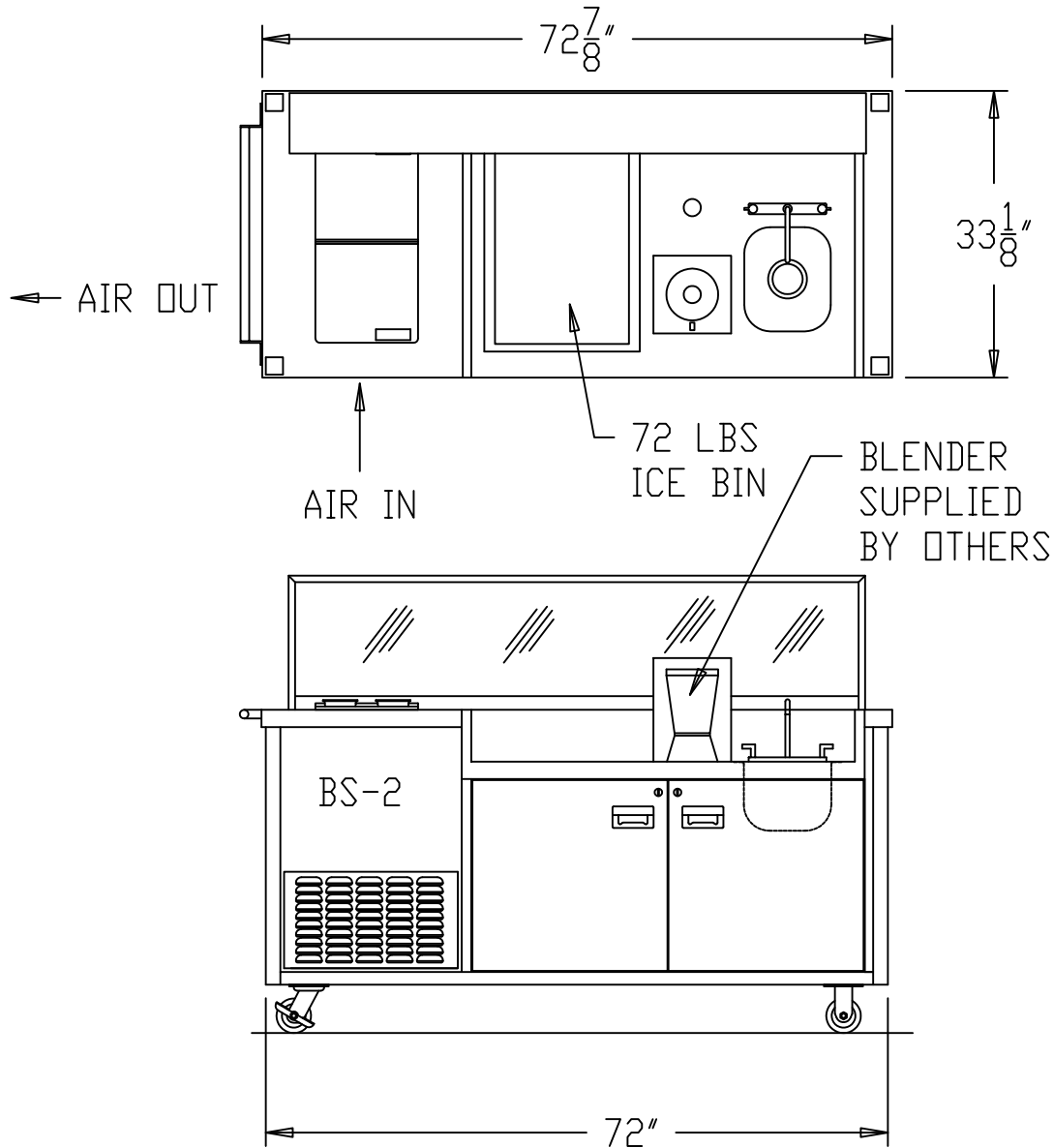


CART INCLUDES:

WHITE LEXAN (3) SIDES

STAND ALONE NSF/UL SINK SYSTEM
STAINLESS ALL SIDES



STAND ALONE
SINK SYSTEM

REV.	C. NELSON MFG.	
TITLE: SMOOTHIE CART		
USED ON:	1 OF 1	
DWN. BY: PAC	PART NO.: SO_41219	REV. NR
DATE: 07/18/06		
SCALE: AUTO		