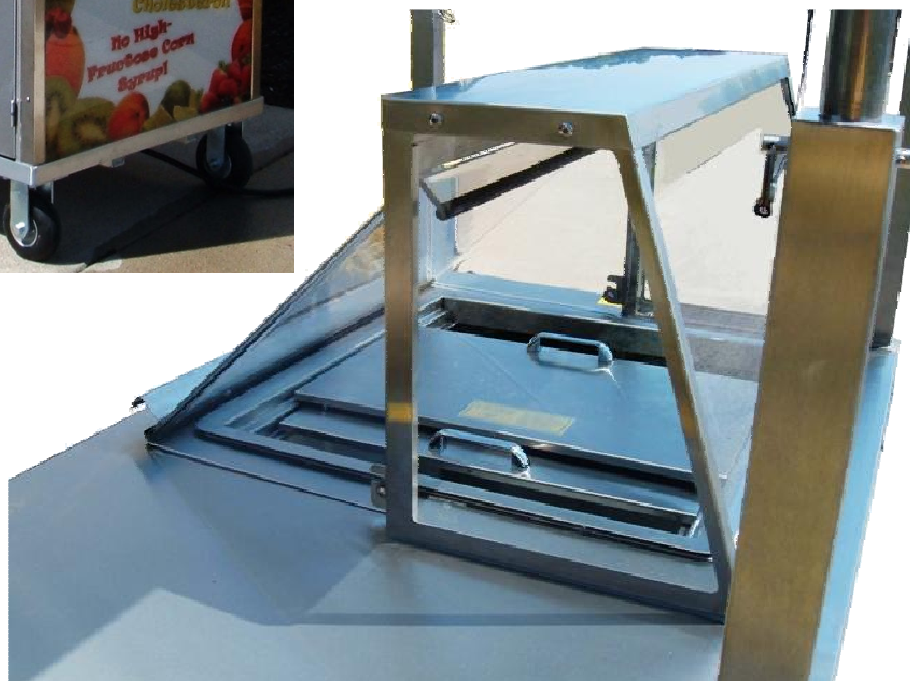
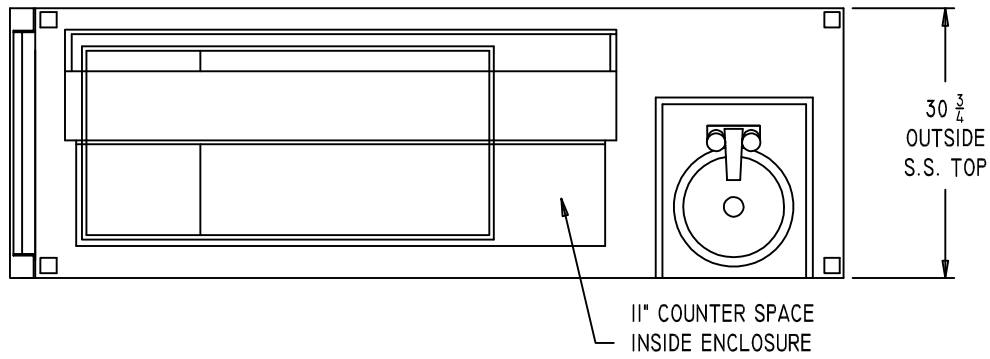




Specifications for Models BD(X)-DIPCE

- Top to be 1 piece welded and polished stainless steel.
- Base frame welded aluminum.
- All exposed corners welded and polished.
- Finished exterior white HDPE plastic or optional graphics.
- Caster wheels 6" diameter soft rubber, (2) swivel w/brake, (2) rigid standard. Optional 8" casters available.
- Interior of freezer stainless steel.
- Bottom drain for cleaning.
- Storage compartment/sink compartment all stainless steel.
- Electronic digital temperature control standard, range -30 degrees to +30 degrees..
- NSF & ETL approved for outdoor use.
- Sink system specifications on 2nd page.

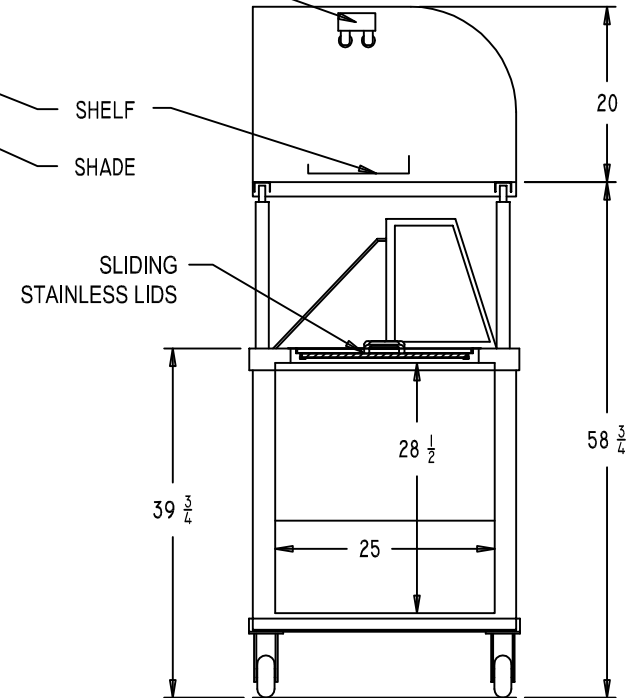
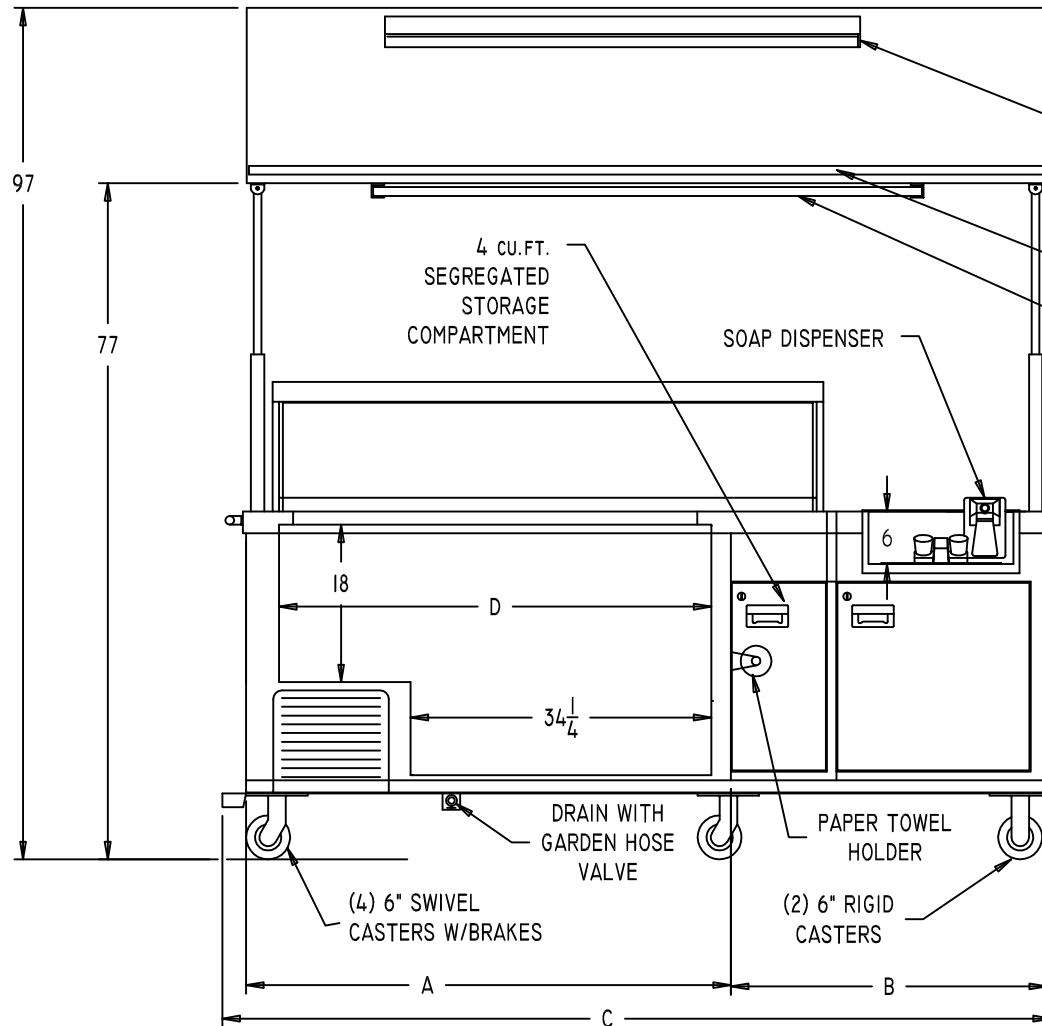




BD4CE - 3FT A= 31 $\frac{1}{2}$ " B= 36" C= 70 $\frac{1}{2}$ " D= 25 $\frac{3}{4}$ "

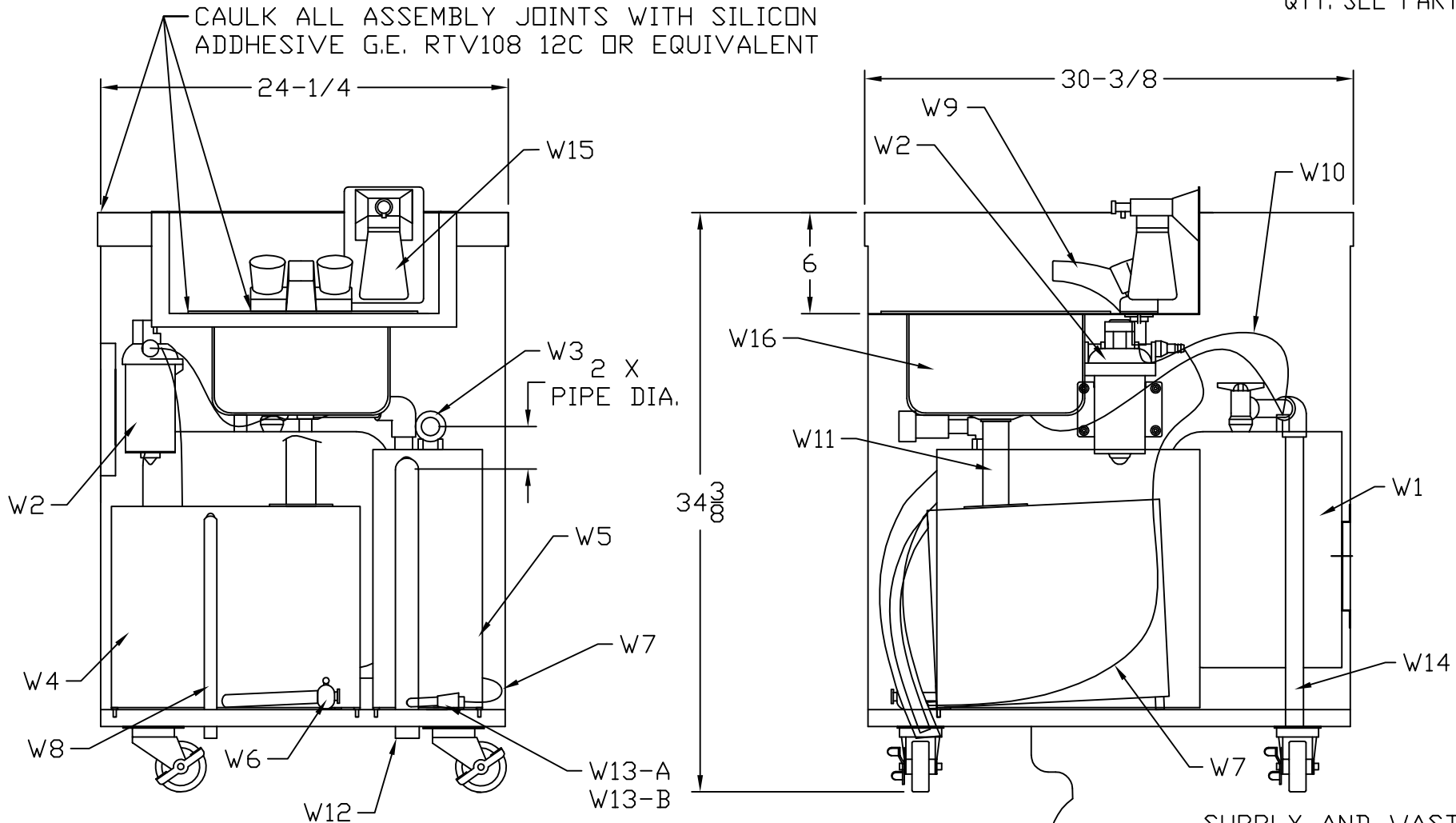
BD6CE - 3FT A= 44 $\frac{1}{2}$ " B= 36" C= 83 $\frac{1}{4}$ " D= 39"

BD8CE - 3FT A= 55 $\frac{1}{4}$ " B= 36" C= 94" D= 49 $\frac{1}{4}$ "



REV.	C. NELSON MFG.	
TITLE: BD(4,6,8)-DIPCE WITH SINK AND EXTRA 12" EXTENSION		
USED ON: CAL STYLE CART	I OF I	
DWN. BY: JEO	PART NO.: 304-CAL	REV.
DATE: 04/21/08		NR
SCALE: AUTO		

MAT'L: SEE PARTS LIST
QTY. SEE PARTS LIST



DOOR AND EXTERIOR
REMOVED FOR
CLARITY

END VIEW
EXTERIOR REMOVED
FOR CLARITY

SUPPLY AND WASTE
TANKS SHOWN
TRANSPARENT FOR
CLARITY

DRAIN TO WASTE TANK IS REMOVABLE WITHOUT TOOLS.
ALLOWING TANK TO BE REMOVED WITHOUT TOOLS.
THIS ALLOWS THE FRESH WATER TANK TO
BE PULLED FORWARD DICONECTED AND REMOVED WITHOUT TOOLS.

ALL OVERFLOW OPENINGS COVERED WITH
STAINLESS WIRE MESH

REV.	
C. NELSON MFG.	
TITLE: CA SINK	
USED ON: VARIOUS CARTS	1 OF 2
DWN. BY: PAC	PART NO.: 98043-M-SA-69
DATE: 03/01/04	
SCALE: AUTO	
	REV. B

98043-M-SA-69 BOM CALIF STYLE (rev. A)

USED ON: CA SINK

ITEM #	QTY	P/N	DESCRIPTION	MANUFACTURER	MFG MODEL	LISTINGS
W1	1	YS0013	WATER HEATER	RHEEM	EGSPC2	UL
W2	1	YZ2071	WATER PUMP	SHURflo	8025-733-256	UL,NSF
W3	1	YZ2037	FRESH WATER INLET QUICK CONNECT	HANSON	4HK	NSF
W4	1		(9) GALLON WASTE WATER TANK STAINLESS STEEL	C.NELSON MFG	12743TUBE	
W5	1	YZ0376	(5.38) GALLON CAPACITY FRESH WATER TANK LLDPE	WATER TANKS .COM	0260-030	NSF
W6	1	YP0260	SHUT OFF VALVE	McMASTER CARR	4876K41	NSF
W7	**	YZ2033	PUMP SUPPLY TUBING 3/8" ID	KURITEC	K3150-06X50	NSF
W8	**	YZ2083	WASTE WATER OVERFLOW/FAUCET SUPPLY 1/2" ID	KURITEC	K3150-08X50	NSF
W9	1	YZ0356	FAUCET	UTOPIA	20377207	UPC
W10	2	YZ0363	CONNECTIONS LINES	SHURflo	181-201	NSF
W11	1	YZ0365	TAILPIECE	CAMCO RV	37311	
W12	1	YZ2032	FRESH WATER OVERFLOW 1"REINFORCED TUBING	KURIYAMA	K100806	
W13-A	1	YP0560	QUICK CONNECT 90° W/SHUTOFF ACETIL	COLDER PRODUCTS	CP429	FDA
W13-B	1	YP0550	QUICK-CONNECT IN LINE W/SHUTOFF ACETAIL	COLDER PRODUCTS	CP422	FDA
W14	1		HOT WATER OVERFLOW PVC PIP			
W15	1	YZ0347	SOAP DISPENSER	McMASTER CARR	2950K61	
W16	1	YZ03527	SINK BOWL Ø10-5/16 X 6" DP W/2" DRAIN	POLAR WARE	201260	NSF
1	2	YZ2004	OUTDOOR DUPLEX BOX	HUBBLE	5958-0	UL,CSA
2	1	YE02341	DUPLEX RECEPTACLE GFI TYPE	LEVITON	7899-A	UL,CSA
3	1	YE02340	SWITCH/RECEPTACLE	LEVITON	5320-ICP	UL,CSA
4	1	YE0210	JUMPER CORD	14 GA WIRE		UL
5	1	YZ1015	FLEXIBLE CONDUIT	SUPERFLEX LTD	8451	UL,CSA
6	1	YE011003	SJTOOW 14/3 CORD WITH MOLDED PLUG	MID-STATE MFG CORP		UL,CSA
7	7		304 SS CONSTRUCTION	C. NELSON MFG		
8	4	YC0117	4" SWIVEL CASTERS W/BRAKE	JARVIS	4-30-314GF-2BRK	

** QTY AS NEEDED