



C. NELSON MFG., 265 N. LAKE WINDS PKWY., OAK HARBOR, OH 43449
 800-922-7339 www.cnelson.com sales@cnelson.com



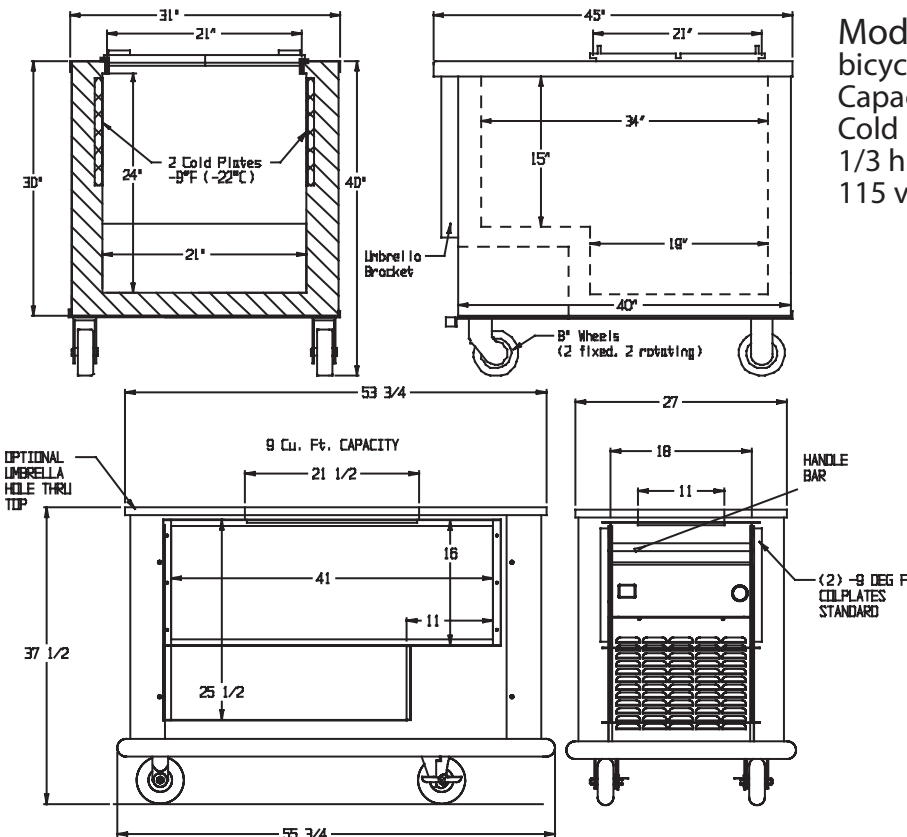
FROZEN COLD PLATE PUSHCARTS

The Best Value with the Features You Need!
 Take Your Products to the People with These
 Pushcarts Designed to **HEAT UP** Your Sales



Model BDC8 (Shown above w/custom graphics)
 Capacity 9 cu.ft.,
 Approx 800 Novelties,
 Cold Plates Standard,
 1/3 h.p. compressor, 8 amps, 115 volts
 R404a refrigerant

Model BDC8 (top drawing), Model BDC8(S) (bottom drawing)



Model BDC8S (Shown above with optional
 bicycle wheel kit and black lexan finish)
 Capacity 10 cu.ft. est 1000 novelties
 Cold Plates Standard
 1/3 h.p. Compressor, R404a refrigerant
 115 v., 8 amps



Specifications

Lid locks standard on all models.
 Top to be 18 ga. type 304 stainless.
 Base frame to be welded aluminum.
 All exposed corners welded and
 polished smooth.
 Finished exterior to be white Lexan,
 standard.
 Wheels to be 6" or 8" diameter
 2) swivel w/locks, (2) rigid.
 Load rating of wheel to min of 350 lbs ea.
 Interior of cart to be 24 ga. stainless.
 Bottom drain for defrost.
 Condensing unit on glide-out base
 with service valves.
 Carts to have 5 yr. ltd warranty for
 coldplate failure, insulation failure or
 internal tubing leaks.
 NSF & UL listed for outdoor use.
 Options available include;
 custom artwork panels, umbrella,
 overhead awnings, fold-down shelf,
 bicycle wheels, and more