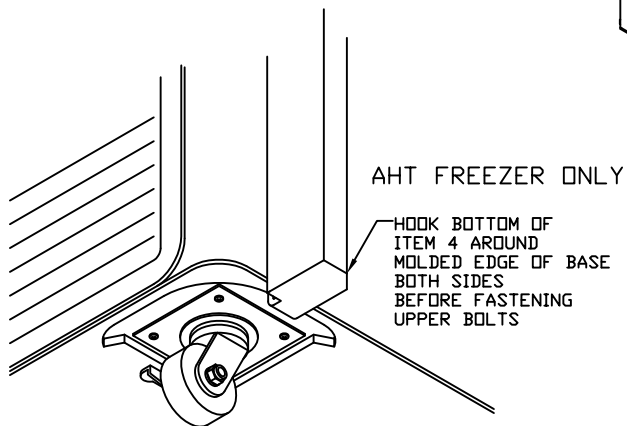
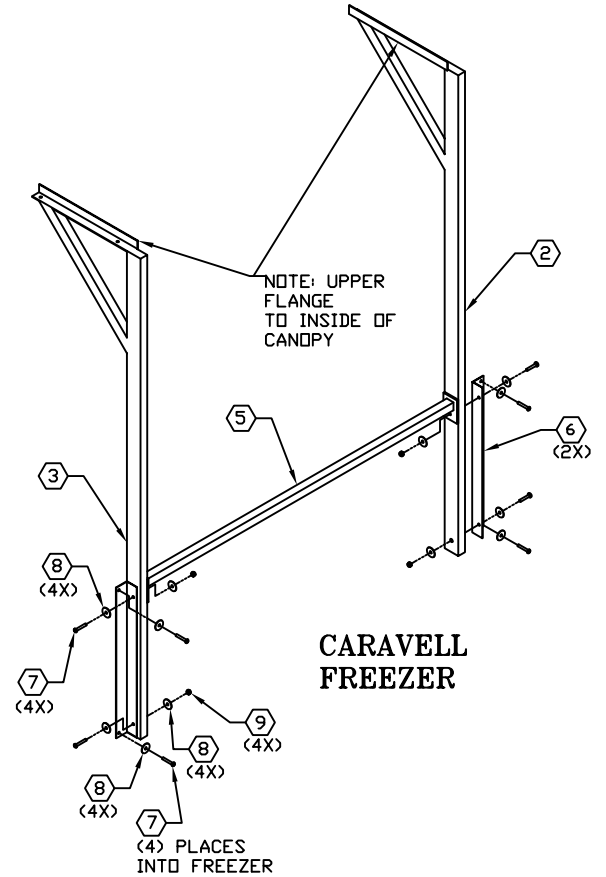
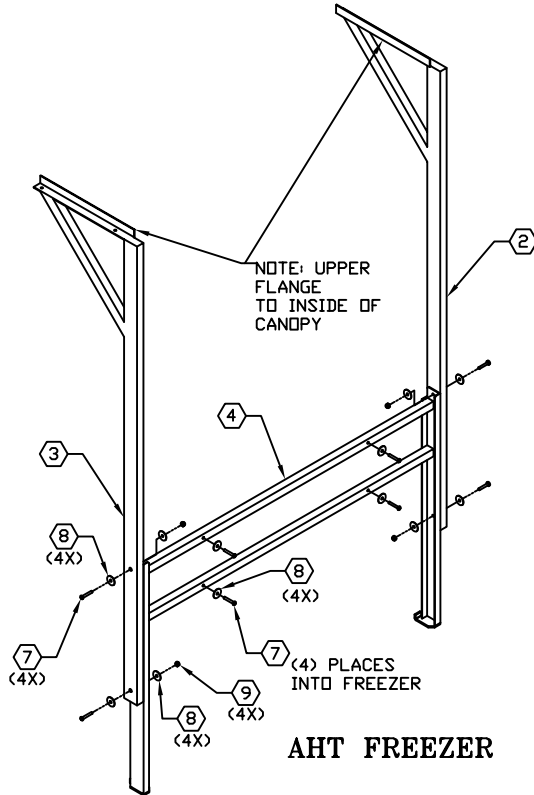
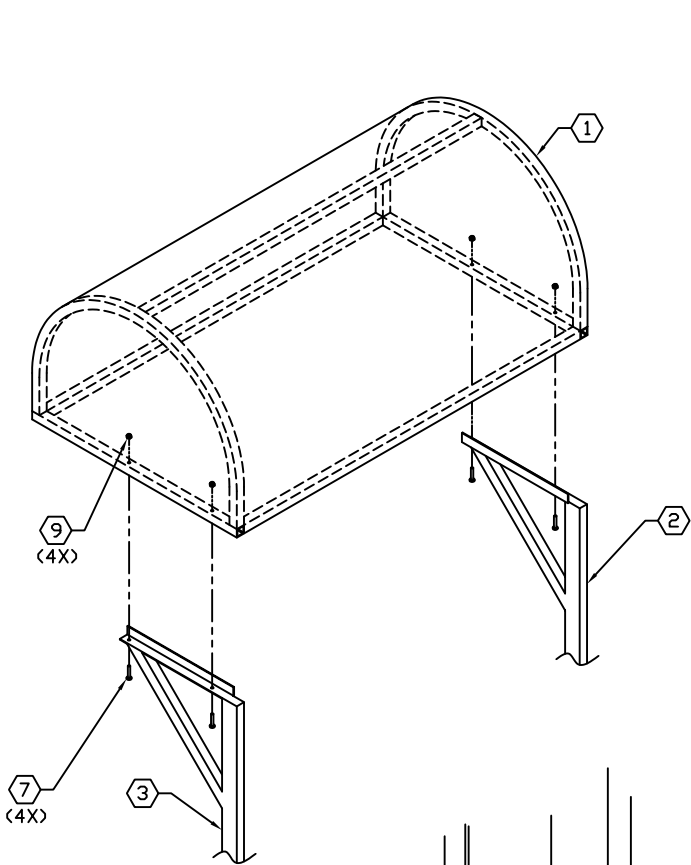


ITEM	DESCRIPTION	QTY	USED ON	
			AHT	CARAVELL
1	CANOPY	1	X	X
2	LH CANOPY SUPPORT	1	X	X
3	RH CANOPY SUPPORT	1	X	X
4	AHT CENTER SUPPORT	1	X	
5	CARAVELL CENTER BRACE	1		X
6	ANGLE BRACKET	2		X
7	M6 X 1.0 X 40MM PAN HD	12	X	X
8	M6 FLAT WASHER	12	X	X
9	M6 NYLON INS. LOCKNUT	8	X	X
10	8' NYLON WIRE TIE, BLK	3	X	X

ASSEMBLY SEQUENCE:

- 1) A) LOOSELY ATTACH BRACKETS (6) TO CARAVELL FREEZER USING 4X (7) & 4X (8)
 B) LOOSELY ATTACH CENTER SUPPORT (4) TO AHT FREEZER USING 4X (7)
- 2) A) LOOSELY ATTACH CANOPY SUPPORTS (2 & 3) TO CENTER SUPPORT USING 4X (7) 8X (8) & 4X (9)
 B) LOOSELY ATTACH CANOPY SUPPORTS (2 & 3) TO BRACKETS USING 4X (7) 8X (8) & 4X (9) (ADD BRACE (5) TO CARAVELL)
- 3) SET AND ATTACH CANOPY (1) TO SUPPORTS.
- 4) TIGHTEN ALL FASTENERS EXCEPT LOWER SUPPORT BOLTS.
- 5) USING A LEVEL, PLUMB CANOPY SUPPORTS. TIGHTEN LOWER SUPPORT BOLTS.
- 6) ROUTE CANOPY LIGHT CORD ALONG THE INSIDE OF THE NEAREST SUPPORT AND SECURE TO THE SUPPORT WITH NYLON TIES PROVIDED. TRIM EXCESS FROM NYLON TIES.



REV.	C. NELSON MFG.	
	TITLE: PARTS LIST AND ASSEMBLY	
	USED ON: WELLS CANOPY RETROFIT KIT	1 OF 1
DWN. BY: CMS	PART NO.: WELLS000	REV. NR
DATE: 09/07/04		
SCALE: AUTO		