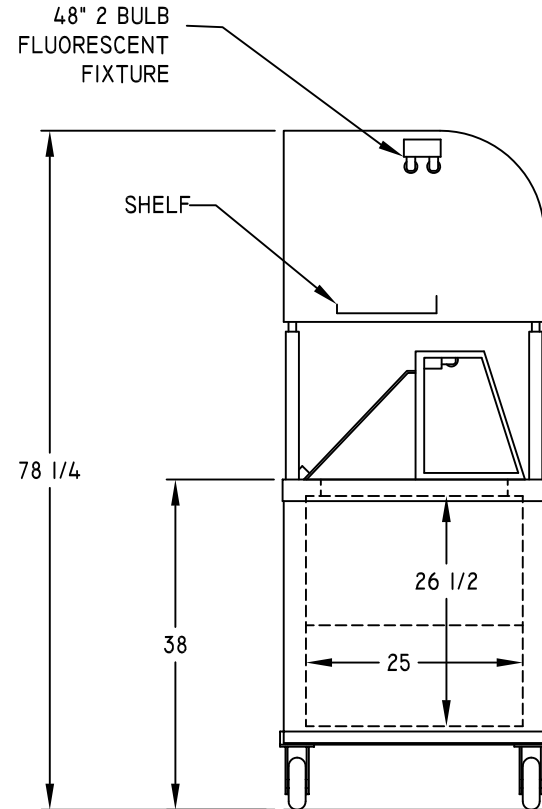


MEETING HEALTH DEPARTMENT
 REQUIREMENTS ARE THE
 RESPONSIBILITY OF THE CUSTOMER



REV.		C. NELSON MFG.	
TITLE: BD-4DIPCE W/ TRIPLE BOWL			
USED ON: FINISHED GOOD			1 OF 1
DWN. BY: JEO	PART NO.:		REV.
DATE: 04/17/08	BD-4DIPCE-05		NR
SCALE: AUTO			