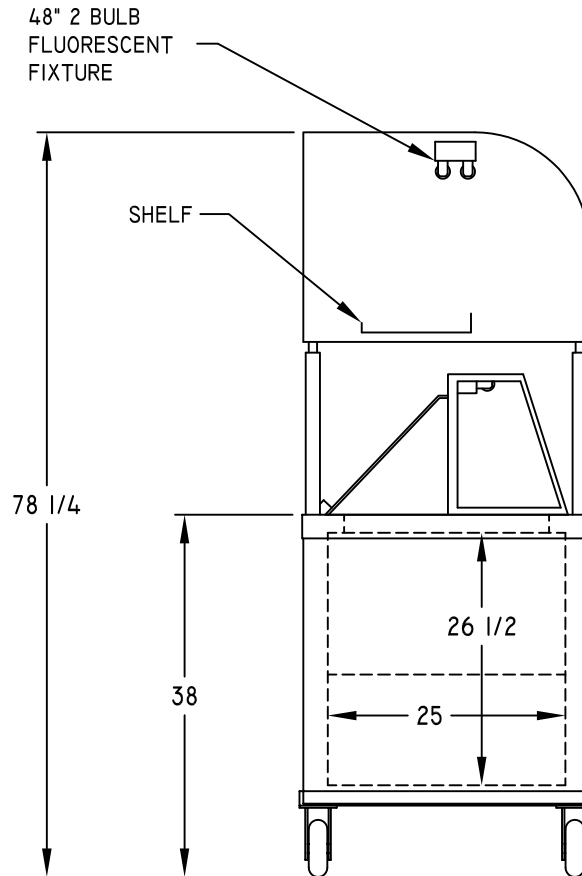


MEETING HEALTH DEPARTMENT  
REQUIREMENTS ARE THE  
RESPONSIBILITY OF THE CUSTOMER



REV.	C. NELSON MFG.	
TITLE: BD-4DIPCE		
USED ON: FINISHED GOODS		1 OF 1
DWN. BY: JED	PART NO.: BD-4DIPCE-02	REV.
DATE: 04/17/08		NR
SCALE: AUTO		