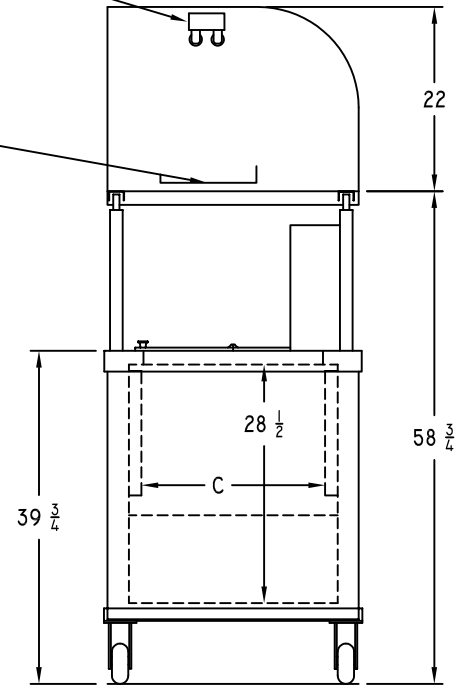
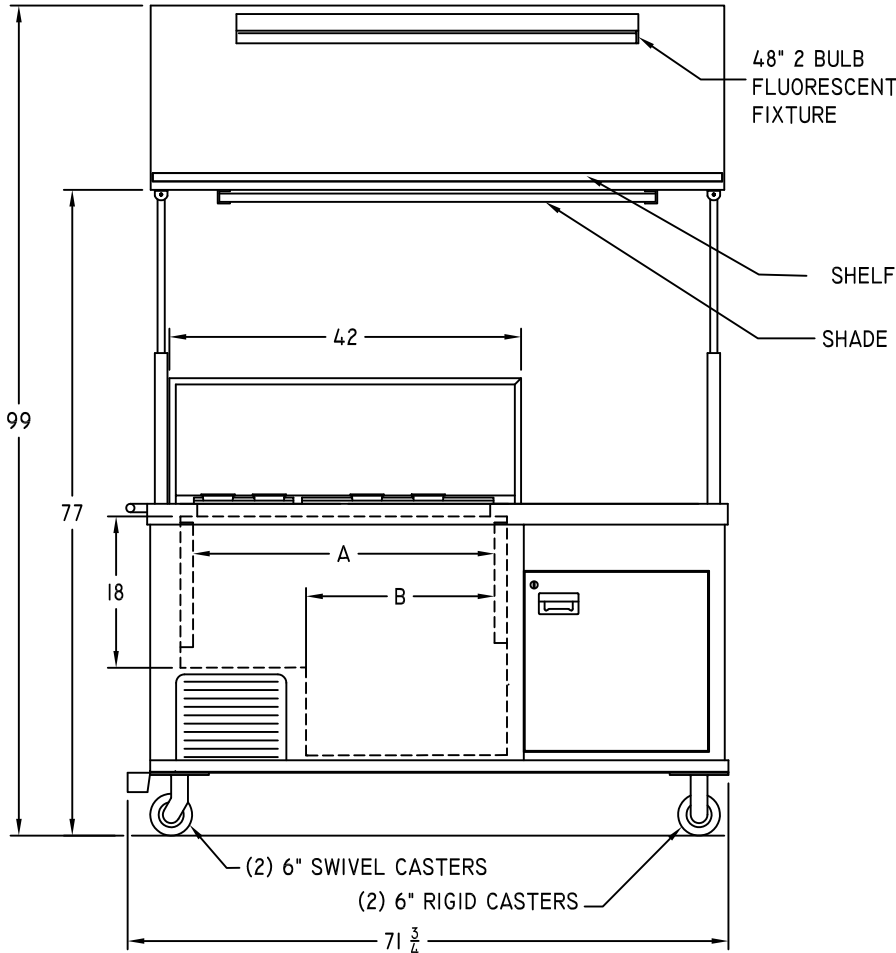
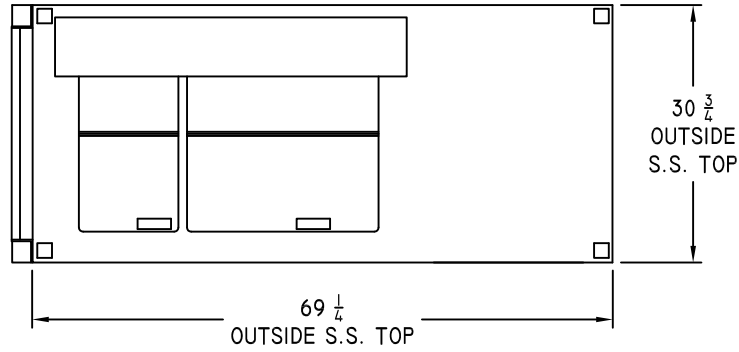


LABEL	DIM. WITH COLD PLATE	DIM. W/O COLD PLATE
A	36	39
B	22 1/2	24
C	22	25

MEETING HEALTH DEPARTMENT
REQUIREMENTS ARE THE
RESPONSIBILITY OF THE CUSTOMER



REV.		C. NELSON MFG.	
TITLE: BD-6CE			
USED ON: FINISHED GOODS			1 OF 1
DWN. BY: JED	PART NO.:		REV. NR
DATE: 04/18/08			
SCALE: AUTO			
		BD-6CE-01	