



C. Nelson Mfg. Co.

Price List Nbr 110b, Page 5
Visual Type Dipping Cabinets

Last updated 8/08

Product Number	Type	Description	Enamel	Stainless Steel Exterior	Stainless Interior & Exterior	Ship Wt.
BD4-DIP	Visual Display Cabinet	4 (3-gal. can) facings, visual type dip case. Options available. Stainless interior, enamel exterior, digital t-stat, sneeze guard, lift lid, lighted.	\$ 4,390			260 lbs
BD6-DIP	Visual Display Cabinet	6 (3-gal can) facings	\$ 4,710			325 lbs
BD8-DIP	Visual Display Cabinet	8 (3-gal. can) facings	\$ 5,020			405 lbs
BD10-DIP	Visual Display Cabinet	10 (3-gal can) facings	\$ 5,640			465 lbs
BD12-DIP	Visual Display Cabinet	12 (3-gal. can) facings	\$ -			
BD16-DIP	Visual Display Cabinet	16 (3-gal. can) facings	\$ -			
YZ0345	Can Skirt	Fits (1) 3-gal tubs, white plastic with rubber grippers				
	Can Racking System	for use in visual dipping cabinets				
N98005	Caster Set	Complete set of 4 3-in swivel casters, 2 caster plates and hardware for mounting on BD4,6,8 and	\$ 180			11 lbs
N98006	Caster Set	Complete set of 6 3-in swivel casters, 3 caster plates and hardware for mounting on BD10,12,14 and	\$ 250			13 lbs
N98003	Leg Kit	Adjustable 6-7" legs for 4,6 & 8 hole cabinets, includes 4 legs and hardware	\$ 210			
N98004	Leg Kit	Adjustable 6-7" legs for 10,12 & 14 hole cabinets, includes 6 legs and hardware	\$ 300			
N98011	Dipper Well	Dip Well Company 10" dipperwell with installation kit.	\$ 400			
YZ0389	Dipper Well	16" dipp well with installation kit and sponge holder, made by Western Pioneer Sales Co.	\$ 320			
	Bottom Shelf Support					
	Extended Warranty		\$ 48			

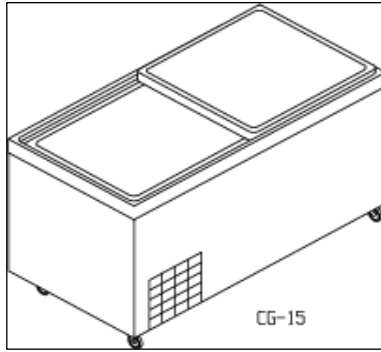
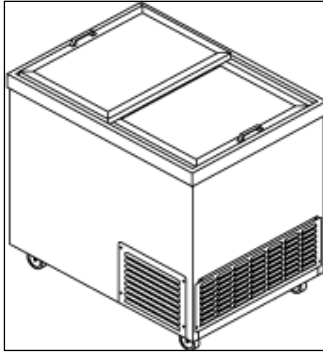


C. Nelson Mfg. Co.

Price List Nbr 110b, Page 6
Visual Dipping Cabinets

Last updated 8/08

Product Number	Type	Description	Enamel	Stainless Steel Exterior	Stainless Interior & Exterior	Ship Wt.
CG-9	Slide-Topper	8.5 cu.ft slide top merchandising cabinet, stainless in & out, 3" casters standard, glass or optional stainless steel sliding lids (9) 3-gal tubs or 180 pints.			\$ 3,780	365 lbs
CG-15	Slide-Topper	14 cu.ft 16 total 3-gal cans or 330 pints			\$ 4,180	410 lbs



N80001	Glass Lid Set	Fits CG-9 model, tempered glass, included in cabinet cost when ordered with cabinet, specify requested lid option	\$	400		
N80002	Stainless Lid Set	Fits CG-9 model, solid stainless steel	\$	400		
N80003	Glass Lid set	Fits CG-15 model	\$	400		
N80004	Stainless Lid Set	Fits CG-15 model	\$	400		
N96011	Lid lock kit	For CG-9	\$	150		
N96012	Lid lock kit	For CG-15	\$	150		