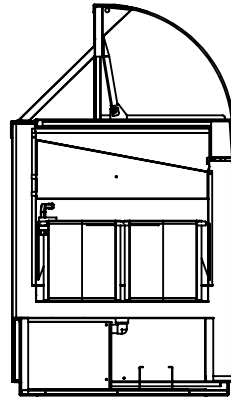
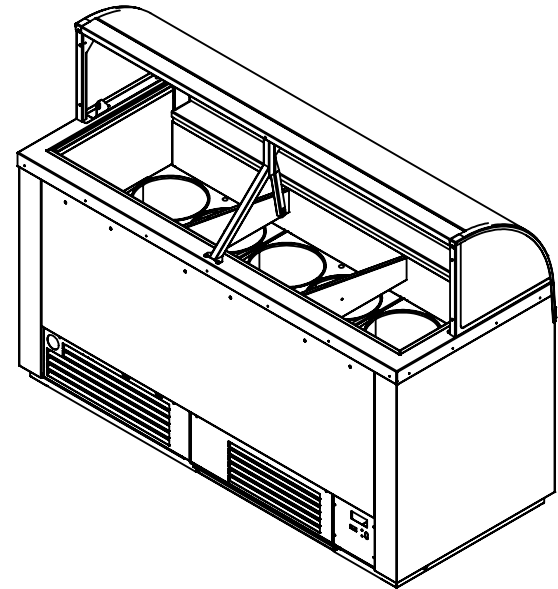


SECTION A-A



SECTION B-B



UNLESS OTHERWISE SPECIFIED:

DIMENSIONS ARE IN INCHES
 TOLERANCES:
 FRACTIONAL ±
 ANGULAR: MACH ± BEND ±
 TWO PLACE DECIMAL ±
 THREE PLACE DECIMAL ±

INTERPRET GEOMETRIC
 TOLERANCING PER:

MATERIAL

FINISH

DO NOT SCALE DRAWING

	NAME	DATE
DRAWN	PAC	9/15/2014
CHECKED		
ENG APPR.		
MFG APPR.		
Q.A.		

COMMENTS:
 QTY () PER ASSEMBLY

C. Nelson Mfg.

TITLE:

**12DIPHVRB
 W/CAN CLAMP**

SIZE
A

DWG. NO.
12DIPHVRB

REV

SCALE: 1:24

WEIGHT:

SHEET 1 OF 1

PROPRIETARY AND CONFIDENTIAL

THE INFORMATION CONTAINED IN THIS
 DRAWING IS THE SOLE PROPERTY OF
 C. NELSON MFG. ANY
 REPRODUCTION IN PART OR AS A WHOLE
 WITHOUT THE WRITTEN PERMISSION OF
 C. NELSON MFG. IS
 PROHIBITED.

USED ON
 APPLICATION