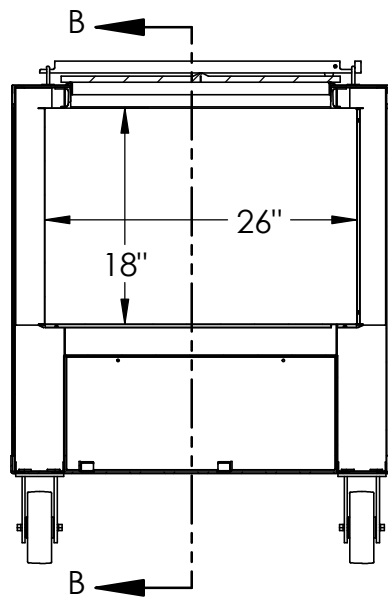


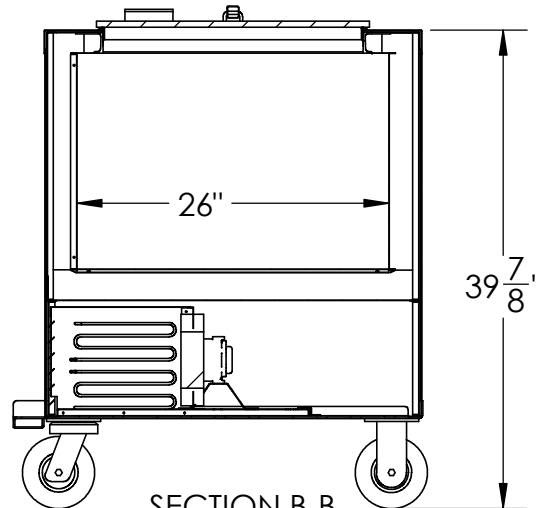
34 1/2"
O.S.
FOOT
PRINT

A

A

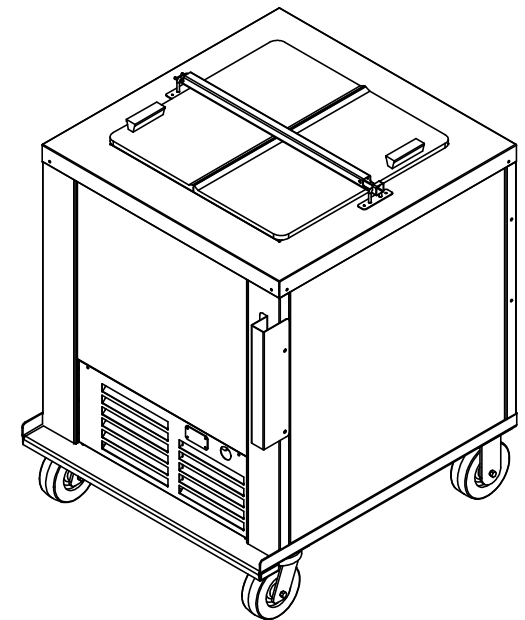


SECTION A-A



SECTION B-B

39 7/8"



	NAME	DATE
DRAWN	PAC	01/12/12
CHECKED		
ENG APPR.		
MFG APPR.		
Q.A.		

C. Nelson Mfg.

TITLE:

CLT4-W

COMMENTS:

DO NOT SCALE DRAWING

SIZE	DWG. NO.	REV
A	330	
SCALE: 1:16	WEIGHT:	SHEET 1 OF 1

PROPRIETARY AND CONFIDENTIAL
THE INFORMATION CONTAINED IN THIS DRAWING IS THE SOLE PROPERTY OF C. NELSON MFG. ANY REPRODUCTION IN PART OR AS A WHOLE WITHOUT THE WRITTEN PERMISSION OF C. NELSON MFG. IS PROHIBITED.