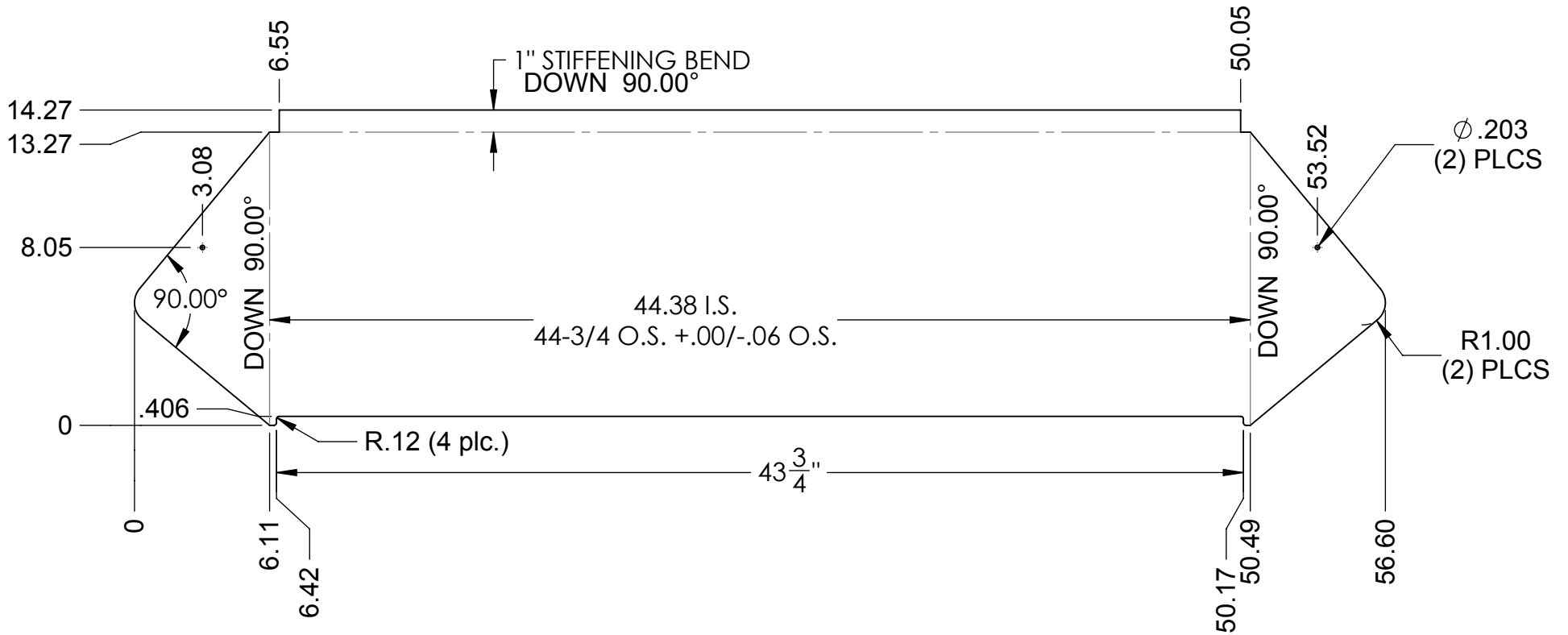


REVISIONS			
REV.	DESCRIPTION	DATE	APPROVED
A	CORRECTED FLAT LAYOUT TO MATCH FORMED SHEET	9-26-07	PAC
B	RE-DESIGNED TO USE 3/16" MATERIAL; Ø.203 (4) PLCS WAS (2) PLCS	11/29/2011	PAC
C	14CG8RBE55 WAS CG8RBE55	3/24/2016	PAC
D	REMOVED 2 HOLES, ADDED 0.406 X 43.75 NOTCH	5/28/19	TR



**NO SHARP EDGES**

**PROPRIETARY AND CONFIDENTIAL**  
 THE INFORMATION CONTAINED IN THIS DRAWING IS THE SOLE PROPERTY OF C. NELSON MFG. ANY REPRODUCTION IN PART OR AS A WHOLE WITHOUT THE WRITTEN PERMISSION OF C. NELSON MFG. IS PROHIBITED.

CG8RB DOUBLE SIDED

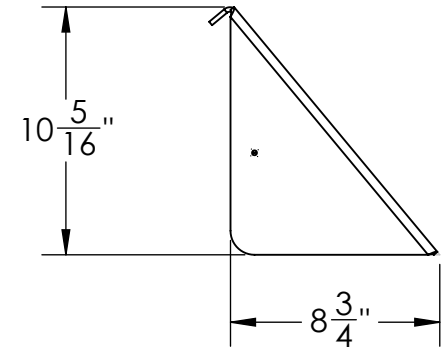
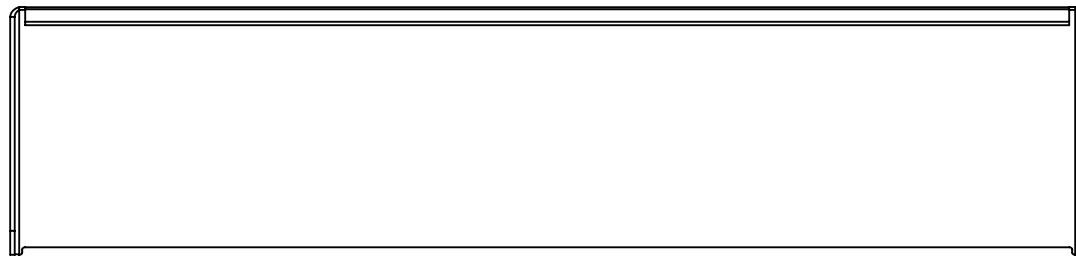
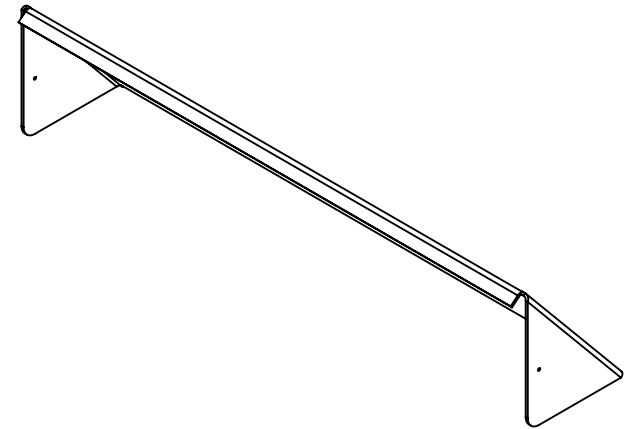
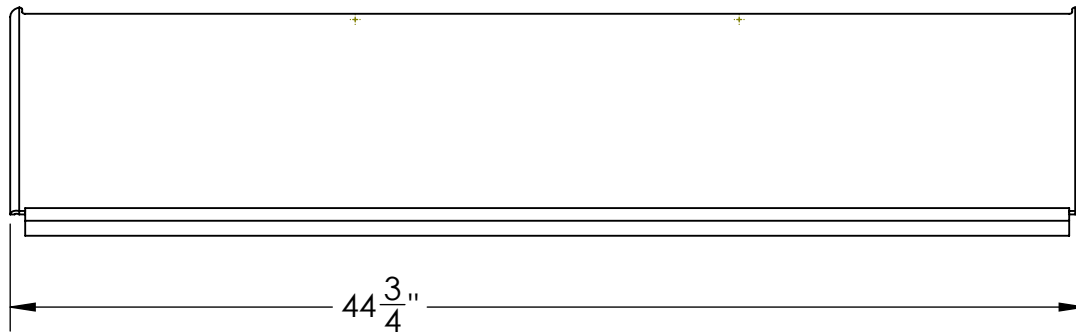
USED ON APPLICATION

UNLESS OTHERWISE SPECIFIED:	
DIMENSIONS ARE IN INCHES	
TOLERANCES:	
FRACTIONAL ±	
ANGULAR: MACH ± BEND ±	
TWO PLACE DECIMAL ±	
THREE PLACE DECIMAL ±	
INTERPRET GEOMETRIC TOLERANCING PER:	
MATERIAL	3/16 PETG
FINISH	CLEAR
	DO NOT SCALE DRAWING

	NAME	DATE
DRAWN	PAC	12-22-06
CHECKED		
ENG APPR.		
MFG APPR.		
Q.A.		
COMMENTS:		
QTY (2) PER ASSEMBLY		

**C. Nelson Mfg.**

TITLE:		
<b>LIFT COVER</b>		
SIZE	DWG. NO.	REV
<b>A</b>	14CG8RBE55	<b>D</b>
SCALE: 1:7	WEIGHT:	SHEET 1 OF 2



**NO SHARP EDGES**

**PROPRIETARY AND CONFIDENTIAL**  
 THE INFORMATION CONTAINED IN THIS DRAWING IS THE SOLE PROPERTY OF C. NELSON MFG. ANY REPRODUCTION IN PART OR AS A WHOLE WITHOUT THE WRITTEN PERMISSION OF C. NELSON MFG. IS PROHIBITED.

**CG8RB SINGLE SIDED**

USED ON APPLICATION

UNLESS OTHERWISE SPECIFIED:		NAME	DATE
DIMENSIONS ARE IN INCHES	DRAWN	PAC	12-05-07
TOLERANCES:	CHECKED		
FRACTIONAL ±	ENG APPR.		
ANGULAR: MACH ± BEND ±	MFG APPR.		
TWO PLACE DECIMAL ±	Q.A.		
THREE PLACE DECIMAL ±	COMMENTS:	QTY (2) PER ASSEMBLY	
INTERPRET GEOMETRIC TOLERANCING PER:			
MATERIAL			
3/16 PETG			
FINISH			
CLEAR			
DO NOT SCALE DRAWING			

**C. Nelson Mfg.**

TITLE:  
**LIFT COVER**

SIZE <b>A</b>	DWG. NO. <b>14CG8RBE55</b>	REV <b>D</b>
------------------	-------------------------------	-----------------

SCALE: 1:8	WEIGHT:	SHEET 2 OF 2
------------	---------	--------------