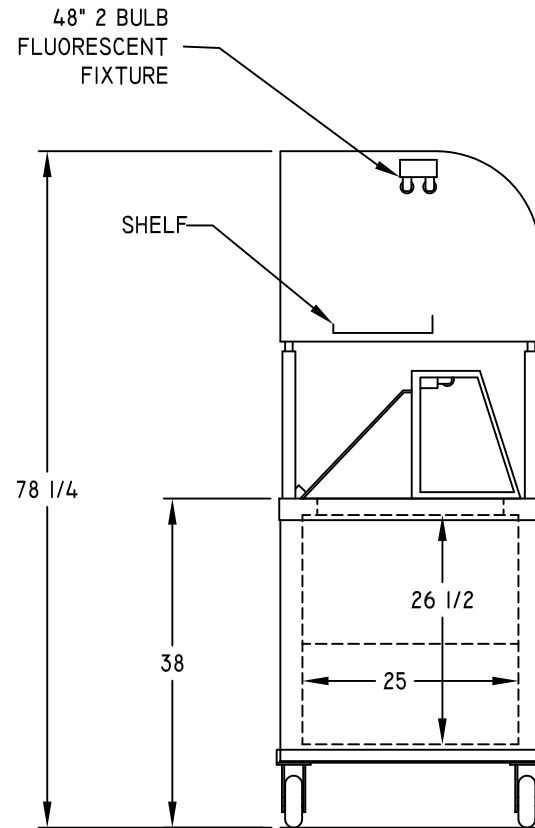


MEETING HEALTH DEPARTMENT  
REQUIREMENTS ARE THE  
RESPONSIBILITY OF THE CUSTOMER



REV.		C. NELSON MFG.	
TITLE: BD-4DIPCE W/ SINK			
USED ON: FINISHED GOOD			1 OF 1
DWN. BY: JEO	PART NO.:		REV. NR
DATE: 04/17/08			
SCALE: AUTO			
		BD-4DIPCE-03	