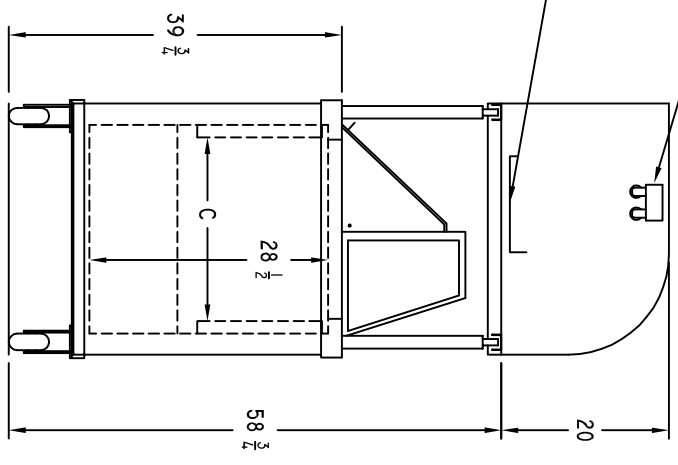
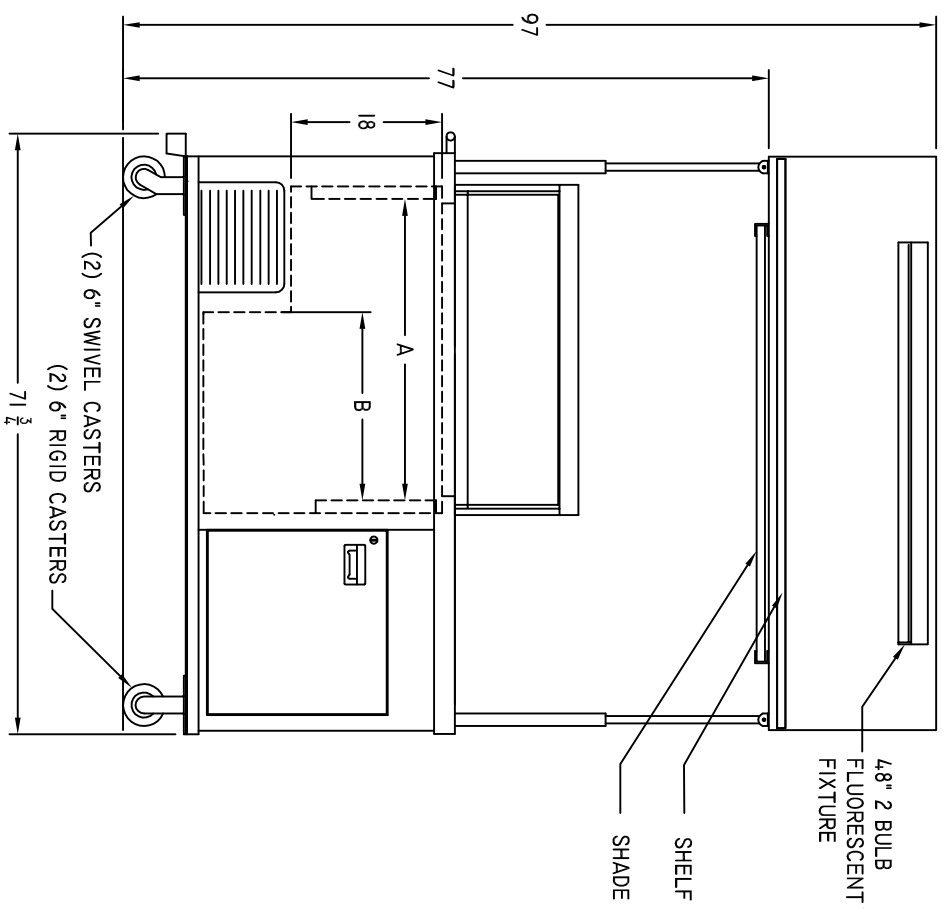


LABEL	DIM. WITH COLD PLATE	DIM. W/O COLD PLATE
A	36	39
B	22 $\frac{1}{2}$	24
C	22	25

MEETING HEALTH DEPARTMENT
REQUIREMENTS ARE THE
RESPONSIBILITY OF THE CUSTOMER



REV.	C. NELSON MFG.	
TITLE:	BD6-DIPCE WITH EXT.	
USED ON:	FINISHED GOODS	
DWN. BY:	JED	1 OF 1
DATE:	04/21/08	REV. NR
SCALE:	AUTO	NR
PART NO.:	BD6-DIPCE-01	