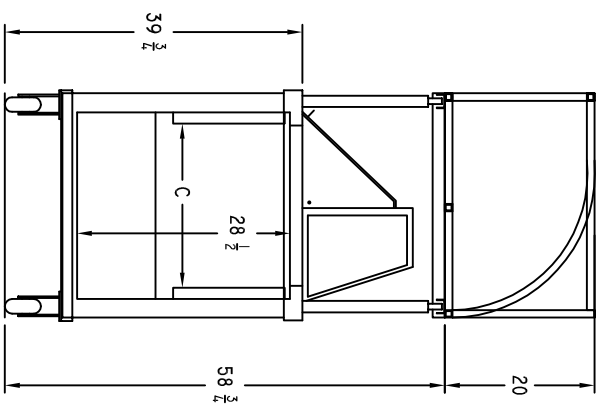
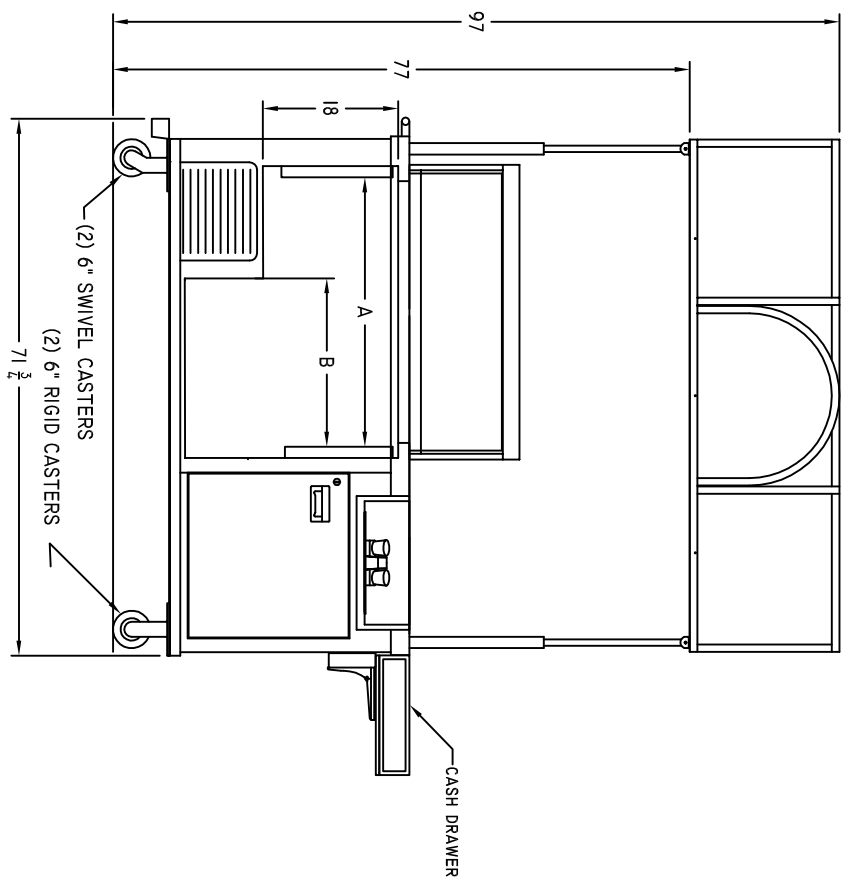


LABEL	DIM. WITH COLD PLATE	DIM. W/O COLD PLATE
A	36	39
B	22 1/2	24
C	22	25

MEETING HEALTH DEPARTMENT  
 REQUIREMENTS ARE THE  
 RESPONSIBILITY OF THE CUSTOMER



REV. \_\_\_\_\_

**C. NELSON MFG.**

TITLE: BD6-DIPCE WITH SINK

USED ON: FINISHED GOODS

DWN. BY: JED

DATE: 03/10/2011

SCALE: AUTO

PART NO.: BD6-DIPCE-03-MAR

REV. NR

1 OF 1