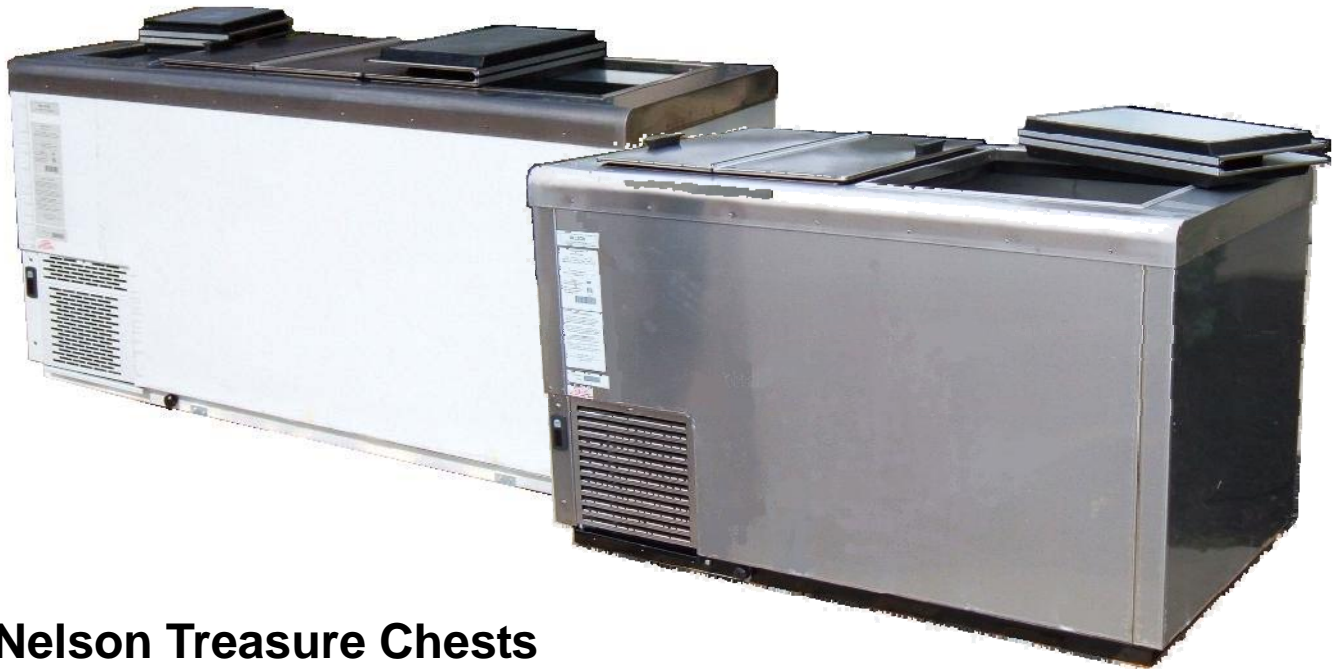




www.cnelson.com 419-898-3305
sales@cnelson.com
Oak Harbor, Oh 43449
We Sell Cool



Nelson Treasure Chests Double Row Dipping Cabinets

Features:

All Digital, All the Time. Electronic thermostats included in all Nelson dipping cabinets takes the guess work out of the perfect temperature setting. T-stats adjust from -30 to +30 degrees.

Front Breathing cabinets allow for flexibility in proper placement in cabinetry or against a wall. BD12& BD14 require rear venting.

Permanent Stainless Steel Gaskets never need replaced.

SPECIFICATIONS:

- One piece 22 ga. 304 stainless steel, all corners welded (no corner pieces or raw edges, ever),
 - Galvanized steel reinforced sub-top beneath the stainless top,
 - Anti-condensate heater wires on galvanized sub-top to prevent condensation on cabinet top,
 - 24 ga stainless steel interior. Optional 22 ga. 304 stainless steel exterior,
 - Copper tubing cold wall type evaporator attached to liner wall,
 - Forced air condensing unit (clog free design on all BD models) on glide-out base for efficient operation and built-in applications,
 - Base of cabinet to be constructed of 16 ga. Galvanized steel,
 - Poured-in place urethane foam insulation with a minimum "K" factor of .13, Lids to be stainless steel top with poured urethane foam insulation and hinged in the center with rubber handles,
- Freezer lid gaskets to be of a molded, one piece, high impact grade ABS plastic, Cabinet to be equipped with a 7-ft power cord, 3 wire, grounded, dead front construction,
- Unit NSF & UL and/or ETL approved.



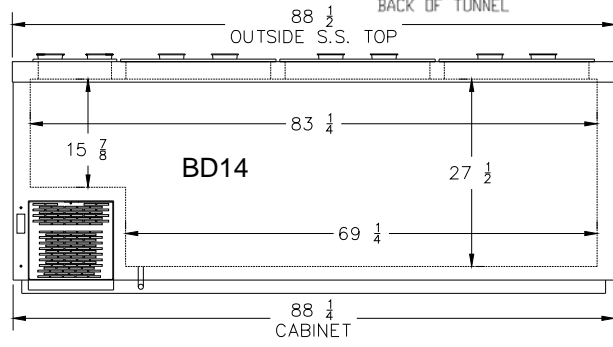
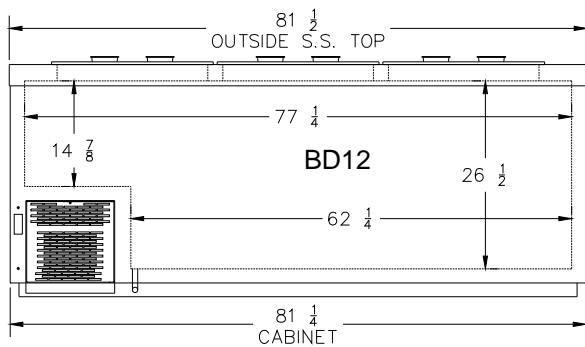
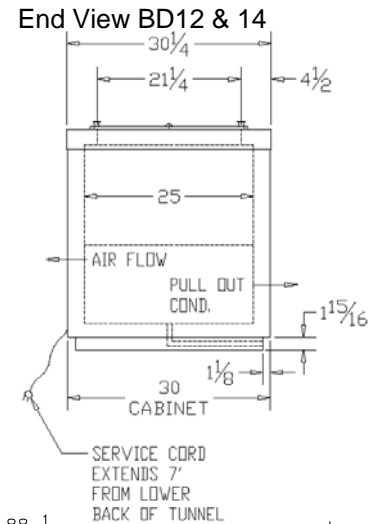
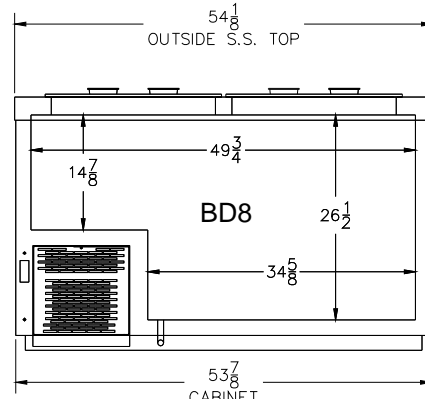
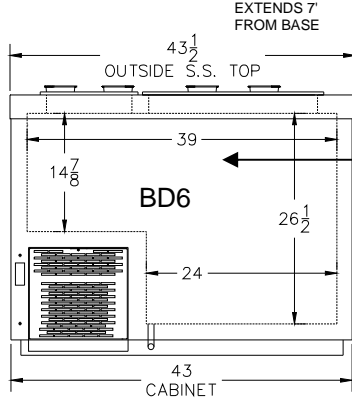
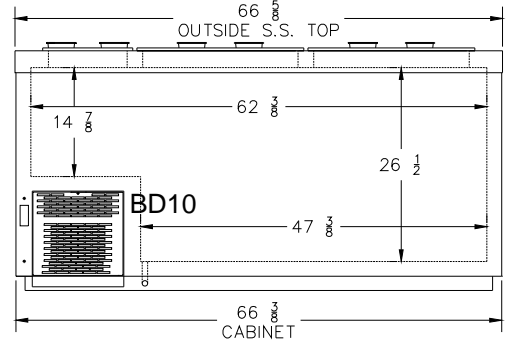
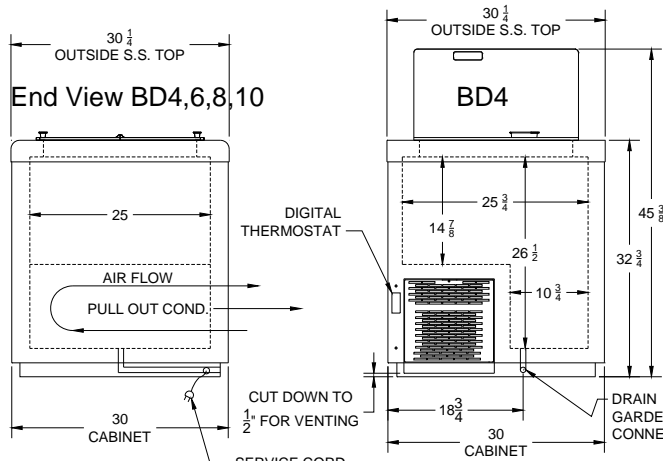
10/18/2017 10:11 AM

Nelson Ice Cream Cabinets...Preferred by Professionals and New Ice Cream Businesses All Over The World



Anytime Anywhere

www.cnelson.com..sales@cnelson.com
 265 N. Lake Winds Pkwy.
 Oak Harbor, OH 43449
 419-898-3305 fax 419-898-4098



| Specs | BD4 | BD6 | BD8 | BD10 | BD12 | BD14 | BS2 | BS4 |
|---------------|-------------|-------|-------|-------|---------|--------------|-------|-------|
| Ship Wt | 225 | 275 | 315 | 365 | 430 | 460 | 175 | 240 |
| CuFt Capacity | 8.0 | 13 | 17.5 | 22.5 | 27.5 | 29.5 | 4.8 | 10.5 |
| #Facing | 5 | 8 | 11 | 14 | 17 | 18 | 2 | 5 |
| Total Tubs | 7 | 12 | 15 | 22 | 26 | 30 | 3 | 8 |
| Compressor | F7CLX | F7CLX | F7CLX | F7CLX | SC12CLX | SC12CLX | F4CLX | F4CLX |
| Amps | 8/4 | 8 | 8 | 8 | 11 | 11/6 | 5 | 5 |
| Electric | 115v / 220v | 115v | 115v | 115v | 115v | 115v / 220 v | 115v | 115v |