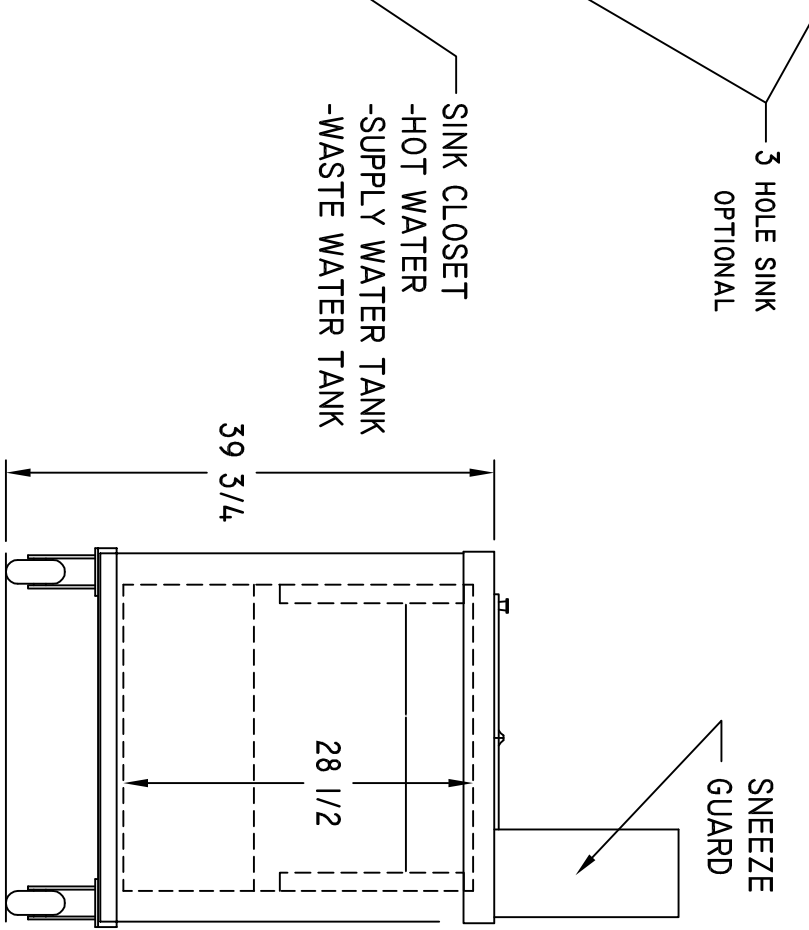
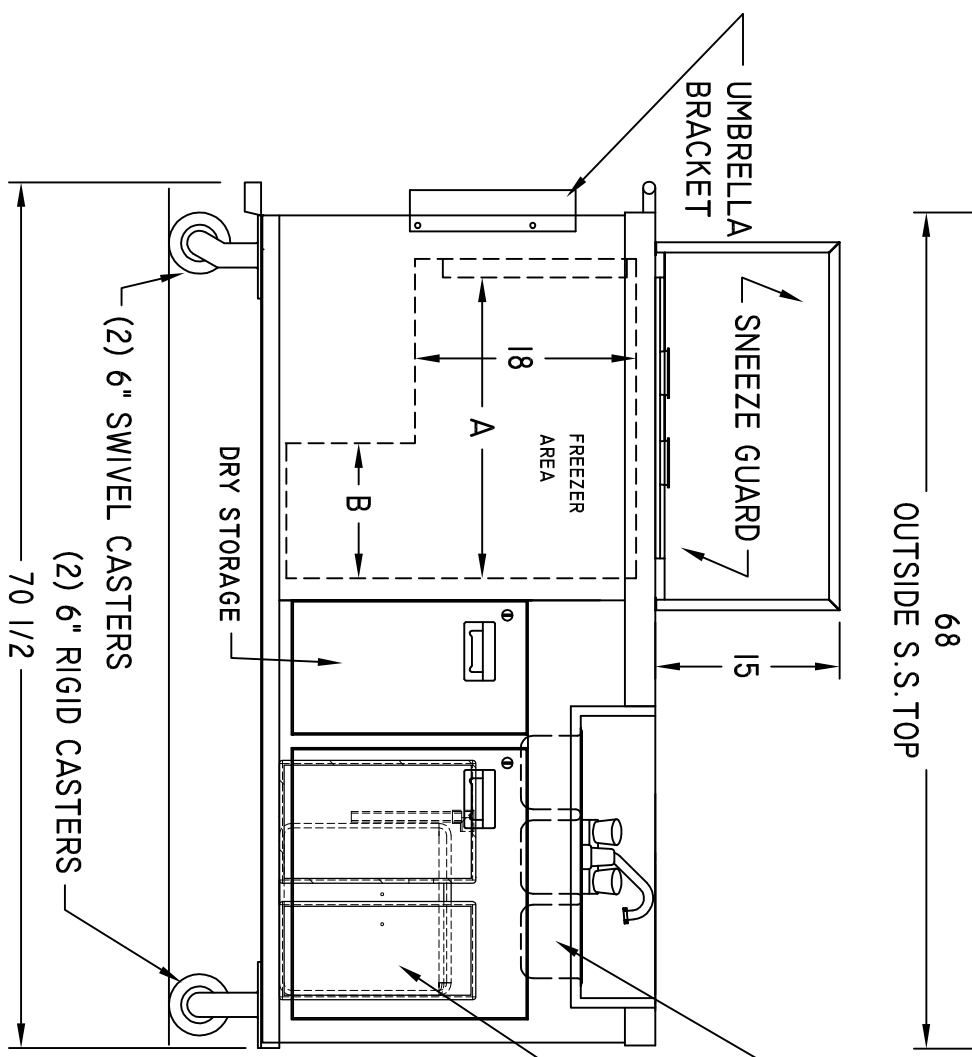


LABEL	DIM. WITH COLD PLATE	DIM. W/O COLD PLATE
A	24 $\frac{1}{4}$	25 $\frac{3}{4}$
B	10 $\frac{3}{4}$	10 $\frac{3}{4}$
C	22	25

MEETING HEALTH DEPARTMENT
REQUIREMENTS ARE THE
RESPONSIBILITY OF THE CUSTOMER



REV.	C. NELSON MFG.
TITLE: BD4CE WITH TRIPLE BOWL SINK	
USED DN: FINISHED GOODS	1 OF 1
DWN. BY: JED	REV. NR
DATE: 04/17/08	
SCALE: A/10	
PART NO: BD4-CE-05	