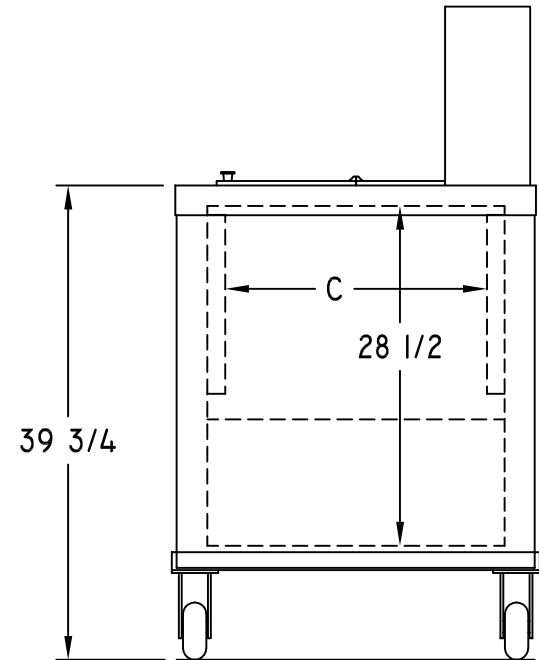


LABEL	DIM. WITH COLD PLATE	DIM. W/O COLD PLATE
A	24 $\frac{1}{4}$	25 $\frac{3}{4}$
B	10 $\frac{3}{4}$	10 $\frac{3}{4}$
C	22	25

MEETING HEALTH DEPARTMENT
REQUIREMENTS ARE THE
RESPONSIBILITY OF THE CUSTOMER



REV.		
C. NELSON MFG.		
TITLE: BD4-CE WITH EXT.		
USED ON: FINISHED GOODS		1 OF 1
DWN. BY: JED	PART NO.: BD4-CE-01	REV. NR
DATE: 04/24/08		
SCALE: AUTO		