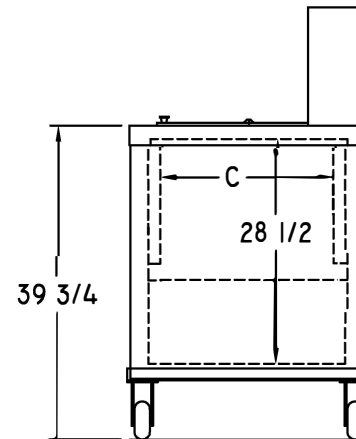
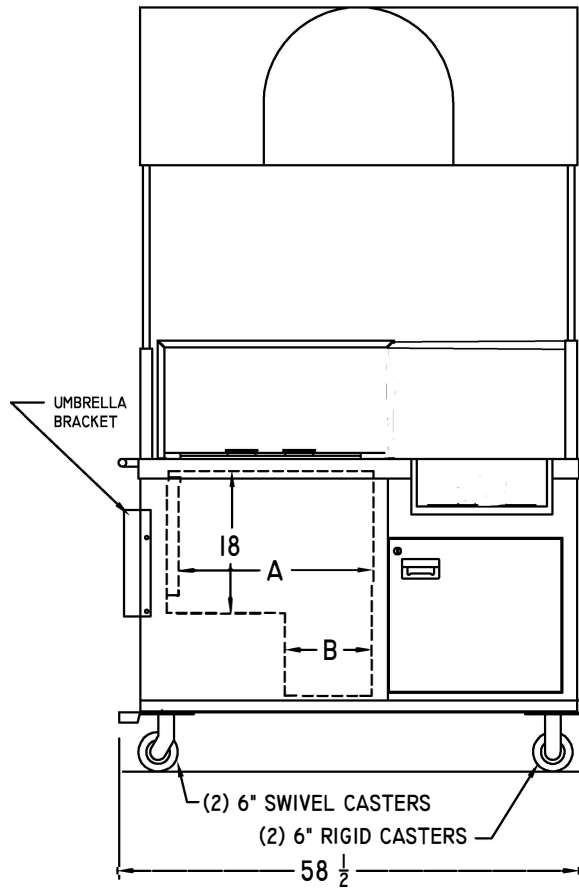


LABEL	DIM. WITH COLD PLATE	DIM. W/O COLD PLATE
A	24 ¹ / ₄	25 ³ / ₄
B	10 ³ / ₄	10 ³ / ₄
C	22	25

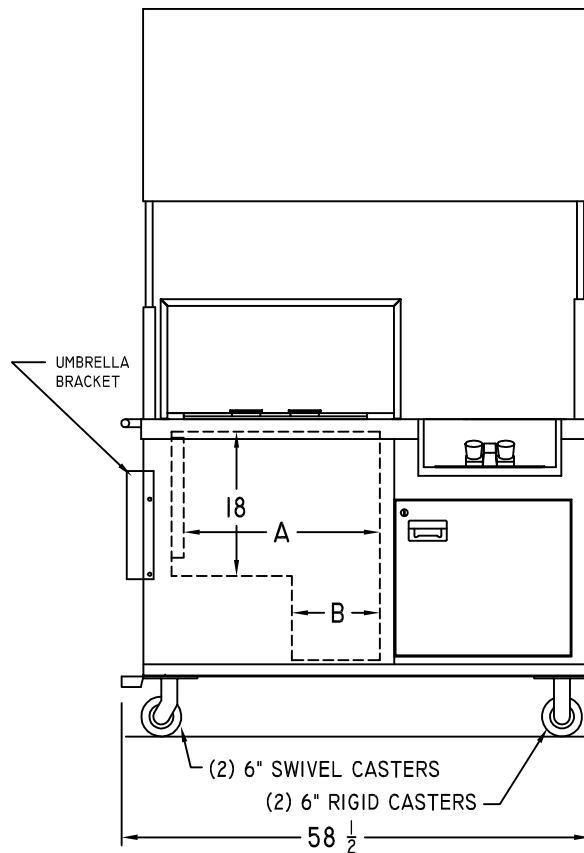
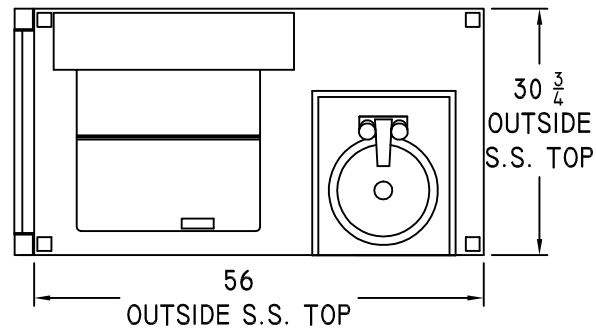
MEETING HEALTH DEPARTMENT
REQUIREMENTS ARE THE
RESPONSIBILITY OF THE CUSTOMER



REV.		C. NELSON MFG.	
TITLE: BD4CE WITH SINK			
USED ON: FINISHED GOODS			1 OF 1
DWN. BY: JED	PART NO.: BD4-CE-03		REV. NR
DATE: 04/17/08			
SCALE: AUTO			

LABEL	DIM. WITH COLD PLATE	DIM. W/O COLD PLATE
A	24 $\frac{1}{4}$	25 $\frac{3}{4}$
B	10 $\frac{3}{4}$	10 $\frac{3}{4}$
C	22	25

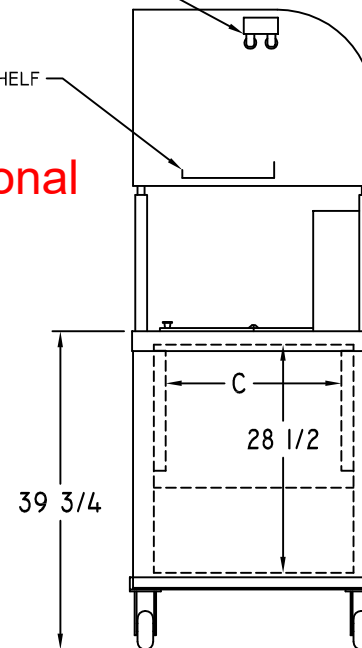
MEETING HEALTH DEPARTMENT
REQUIREMENTS ARE THE
RESPONSIBILITY OF THE CUSTOMER



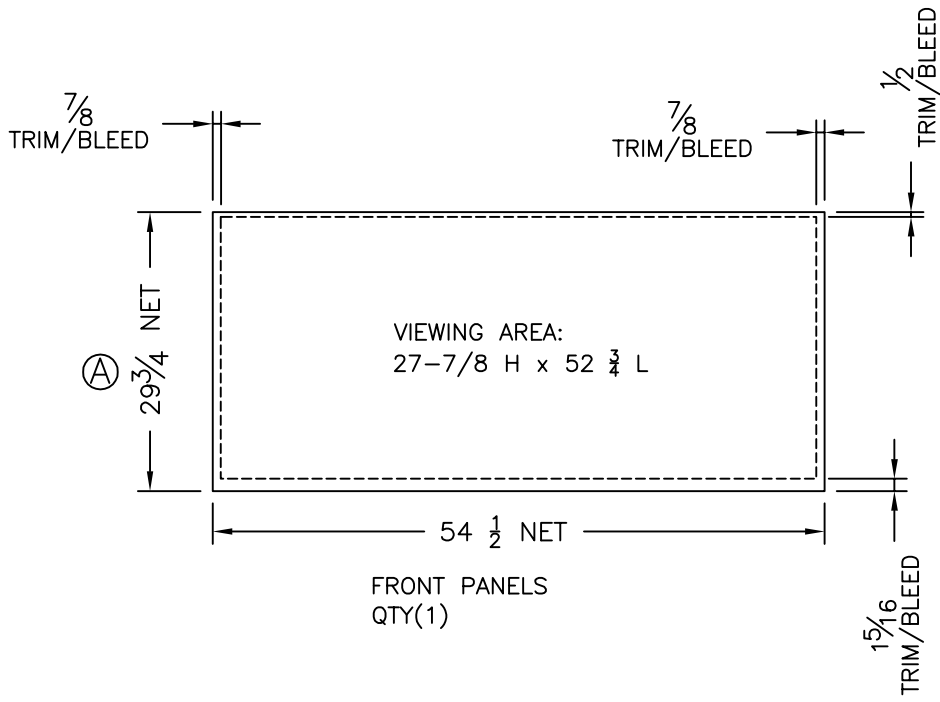
48" 2 BULB
FLUORESCENT
FIXTURE

SHELF

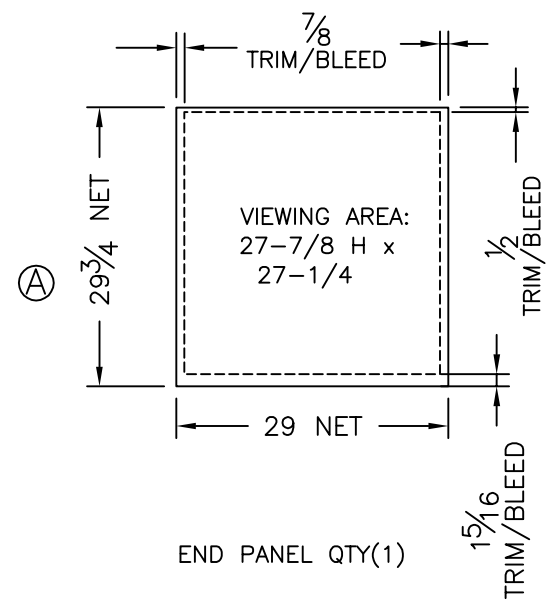
Canopy Optional



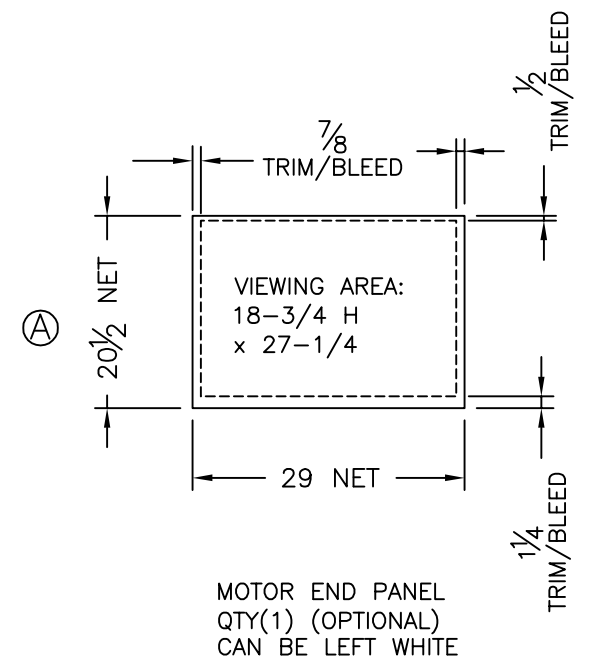
REV.		C. NELSON MFG.	
TITLE: BD4CE WITH SINK			
USED ON: FINISHED GOODS			1 OF 1
DWN. BY: JED	PART NO.: BD4-CE-03		REV.
DATE: Unknown			NR
SCALE: 4/17/08			



FRONT PANELS
QTY(1)



END PANEL QTY(1)



MOTOR END PANEL
QTY(1) (OPTIONAL)
CAN BE LEFT WHITE

REV. "A" PAC 04/20/16 29-3/4 WAS 30-1/2; 20-1/2 WAS 20		
C. NELSON MFG.		
TITLE: BD-4CE PANEL LAYOUT		
USED ON: BD-4CE W/24" EXT		2 OF 2
DWN. BY: pac	PART NO.: BD4CEDIP 01 02 03	REV. A
DATE: 05/29/13		
SCALE: AUTO		