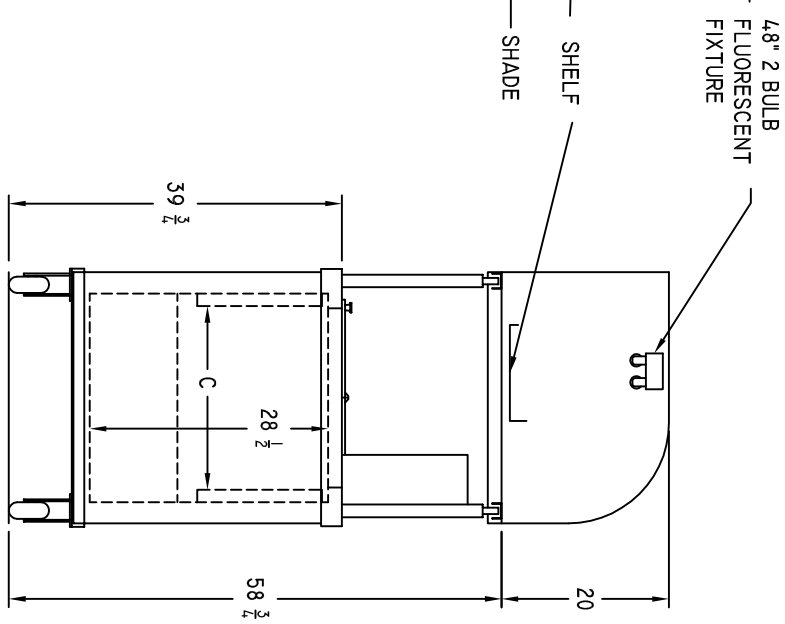


LABEL	DIM. WITH COLD PLATE	DIM. W/O COLD PLATE
A	36	39
B	22 1/2	24
C	22	25

MEETING HEALTH DEPARTMENT
REQUIREMENTS ARE THE
RESPONSIBILITY OF THE CUSTOMER



REV. _____

C. NELSON MFG.

TITLE: BD6-CE WITH TRIPLE BOWL SINK

USED ON: FINISHED GOODS

DWN. BY: JED

DATE: 04/18/08

SCALE: AUTO

PART NO.: BD6-CE-05

1 OF 1

REV. NR