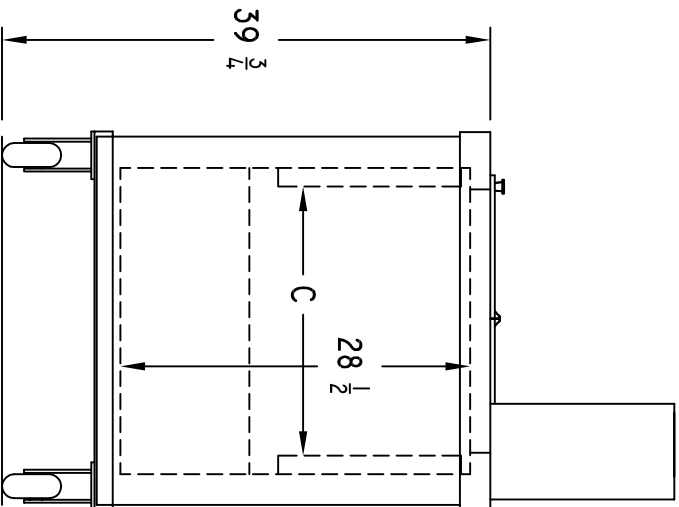
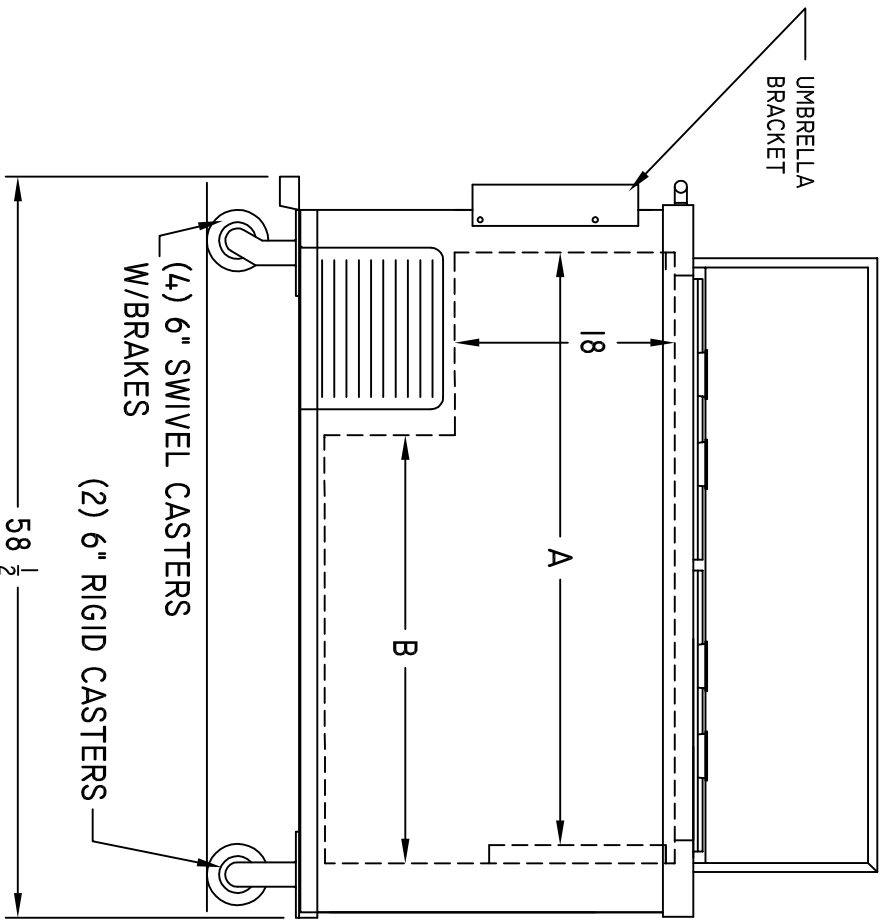


LABEL	DIM. WITH COLD PLATE	DIM. W/O COLD PLATE
A	47 ³ / ₄	49 ¹ / ₄
B	32 ³ / ₄	34 ¹ / ₄
C	22	25

MEETING HEALTH DEPARTMENT
REQUIREMENTS ARE THE
RESPONSIBILITY OF THE CUSTOMER

56
OUTSIDE S.S. TOP



REV.	C. NELSON MFG.	
TITLE:	BD8-CE ND EXT.	
USED ON:	FINISHED GOODS	1 OF 1
DWN. BY:	JED	
DATE:	04/24/08	
SCALE:	AUTO	
PART NO.:	BD8-CE-00	REV. NR