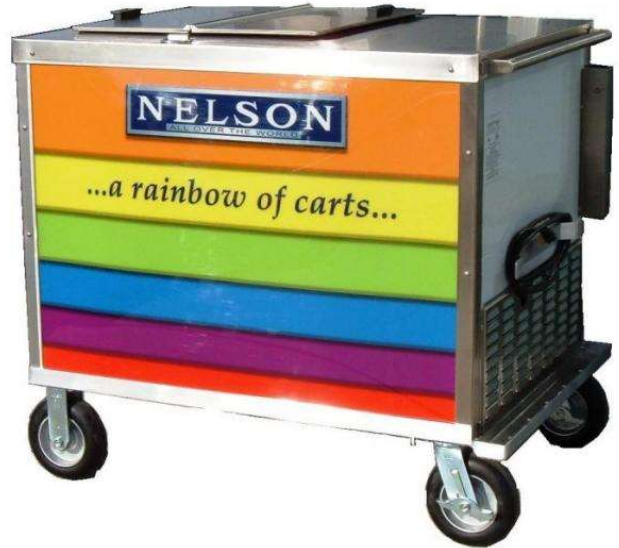


# BDC8 COLDPLATE PUSH CART



## SPECS AND FEATURES

INTERIOR STAINLESS STEEL

TOP IS 20 GAUGE STAINLESS STEEL

STANDARD HOLDING TEMPERATURE IS 0 DEGREES. OTHER HOLDING TEMPERATURES ARE OPTIONAL

OPERATING TEMPERATURES -30 TO +10 DEGREES

ALUMINUM BASE FRAME

BOTTOM DRAIN FOR DEFROST

CONDENSING UNIT ON GLIDE-OUT BASE

8" WHEELS, (2) SWIVEL WITH LOCKS, (2) RIGID

5 YEAR LIMITED WARRANTY

LID LOCKS INCLUDED

WHITE LEXAN FINISHED EXTERIOR STANDARD

HOLDS APPROX. 800 NOVELTIES OR 10 3-GALLON TUBS

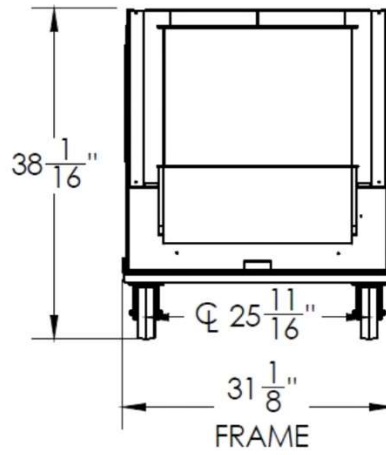
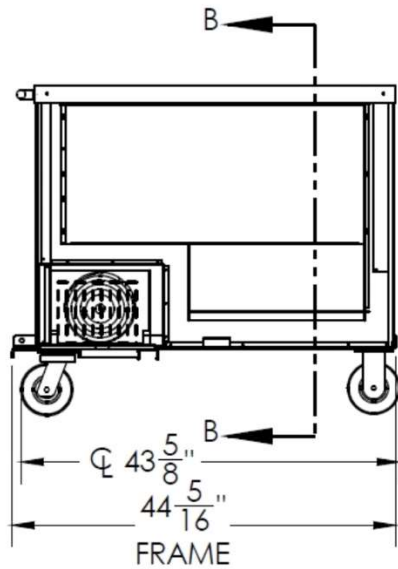
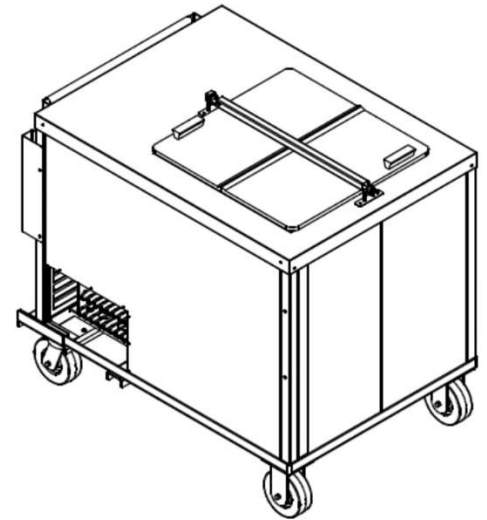
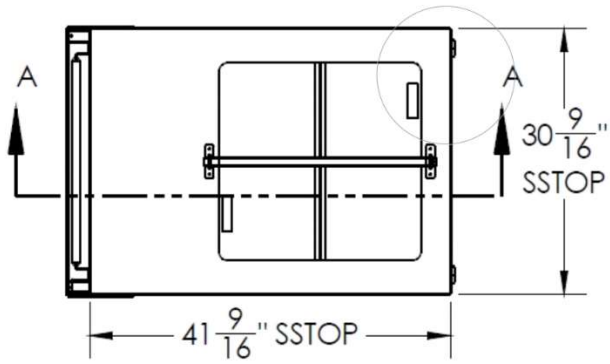


MODEL	BDC8
TUB CAPACITY	(10) 3-GAL CANS
TOP FACING	6 FACING
BOTTOM STORAGE	4 STORAGE
COMPRESSOR HORSEPOWER	1/3 HORSEPOWER
ELECTRICAL - STANDARD	115 VOLT, 5 AMPS
ELECTRICAL - OPTIONAL	220 VOLT, 5 AMPS
REFRIGERANT	R290

**NELSON**  
WE SELL COOL

C. NELSON MANUFACTURING  
419-898-3305 X201  
SALES@CNELSON.COM  
WWW.CNELSON.COM

**BDC8**



SECTION B-B

SECTION A-A