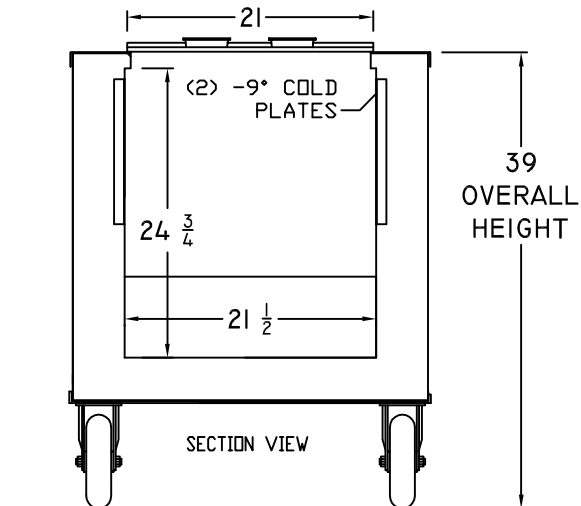
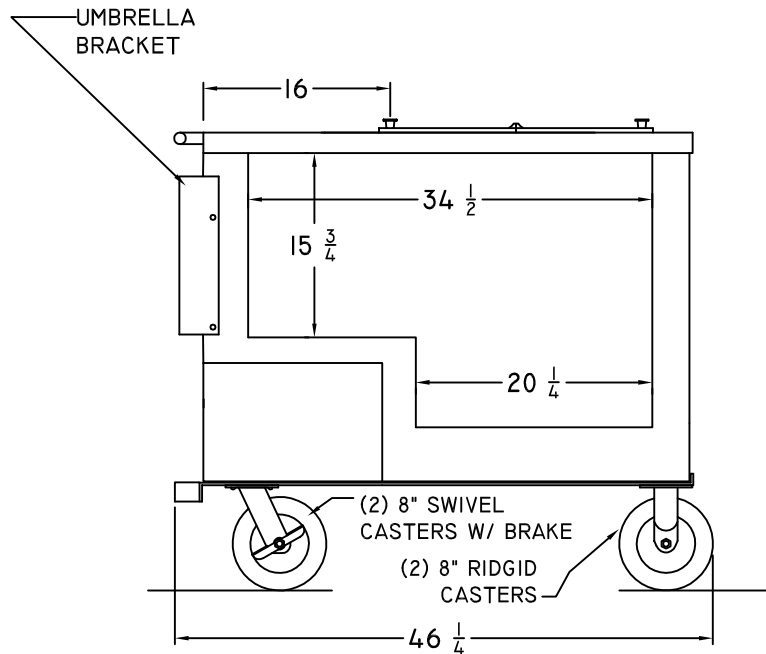
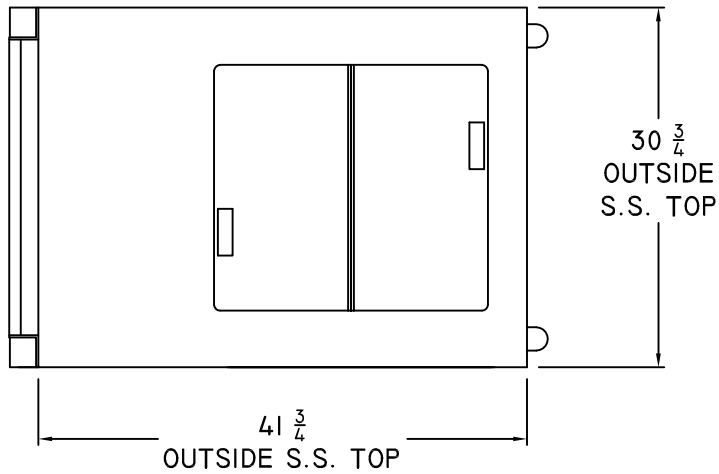


MEETING HEALTH DEPARTMENT
 REQUIREMENTS ARE THE
 RESPONSIBILITY OF THE
 CUSTOMER



"A" PAC 12-9-II CORRECTED WHEEL LOCATION

REV.

C. NELSON MFG.

TITLE: BDC8

USED ON: FINISHED GOODS

1 OF 1

DWN. BY: JED
 DATE: 04/23/08
 SCALE: AUTO

PART NO.:

BDC8

REV.
 A